



REGISTER YOUR TOOLS
<http://register.ryobitools.com>
1-800-860-4050

OPERATOR'S MANUAL

MANUEL D'UTILISATION

MANUAL DEL OPERADOR

26cc STRING TRIMMERS

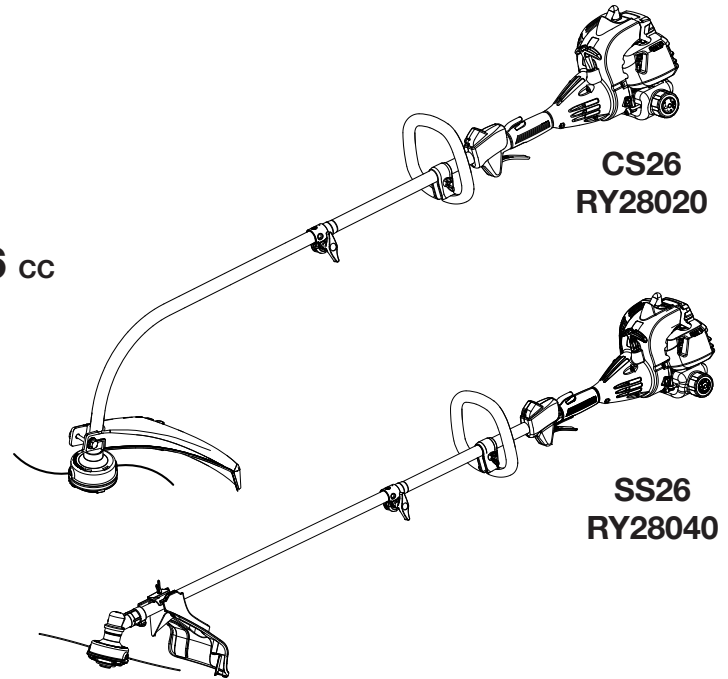
TAILLE-BORDURES À LIGNE DE 26 cc

RECORTADORAS DE HILO 26 cc

ALL VERSIONS

TOUTES LES VERSIONS

TODAS LAS VERSIONES



Your trimmer has been engineered and manufactured to our high standard for dependability, ease of operation, and operator safety. When properly cared for, it will give you years of rugged, trouble-free performance.

WARNING: To reduce the risk of injury, the user must read and understand the operator's manual before using this product.

Thank you for your purchase.

SAVE THIS MANUAL FOR FUTURE REFERENCE

Ce taille-bordures a été conçu et fabriqué conformément à nos strictes normes de fiabilité, simplicité d'emploi et sécurité d'utilisation. Correctement entretenu, cet outil vous donnera des années de fonctionnement robuste et sans problème.

AVERTISSEMENT : Pour réduire les risques de blessures, l'utilisateur doit lire et veiller à bien comprendre le manuel d'utilisation avant d'employer ce produit.

Merci de votre achat.

Su nueva recortadora ha sido diseñado y fabricado de conformidad con nuestras estrictas normas para brindar fiabilidad, facilidad de uso y seguridad para el operador. Con el debido cuidado, le brindará muchos años de sólido funcionamiento y sin problemas.

ADVERTENCIA: Para reducir el riesgo de lesiones, el usuario debe leer y comprender el manual del operador antes de usar este producto.

Le agradecemos su compra.

**CONSERVER CE MANUEL POUR
FUTURE RÉFÉRENCE**

**GUARDE ESTE MANUAL PARA
FUTURAS CONSULTAS**

See this fold-out section for all of the figures referenced in the operator's manual.

Consulter l'encart à volets afin d'examiner toutes les figures mentionnées dans le manuel d'utilisation.

Consulte esta sección desplegable para ver todas las figuras a las que se hace referencia en el manual del operador.

Fig. 1

- A - Reel-Easy™ tap advance string head (avance de la ligne de coupe à tapant Reel-Easy™, sistema de avance de hilo por golpe Reel-Easy™)
- B - Drive shaft housing (tube de l'arbre moteur, alojamiento del eje de impulsión)
- C - Coupler (coupleur, acoplador)
- D - Front handle (poignée avant, mango delantero)
- E - Strap hanger (dispositif d'accrochage, colgador para la correa)
- F - Stop switch (l'interrupteur d'arrêt, interruptor de parada)
- G - Trigger lock-out (verrouillage de gâchette, seguro del gatillo)
- H - Starter handle and rope (poignée du lanceur et corde, mango del arrancador y cuerda)
- I - Primer bulb (poire d'amorçage, bomba de cebado)
- J - Fuel cap (bouchon de carburant, tapa del tanque)
- K - Rear handle (poignée arrière, mango trasero)
- L - Throttle trigger (gâchette d'accélérateur, gatillo del acelerador)
- M - Knob (bouton, perilla)
- N - Curved shaft grass deflector (déflecteur d'herbe d'arbre courbe, deflector de pasto del eje curvo)
- O - Straight shaft grass deflector (déflecteur d'herbe d'arbre droit, deflector de pasto para eje recto)

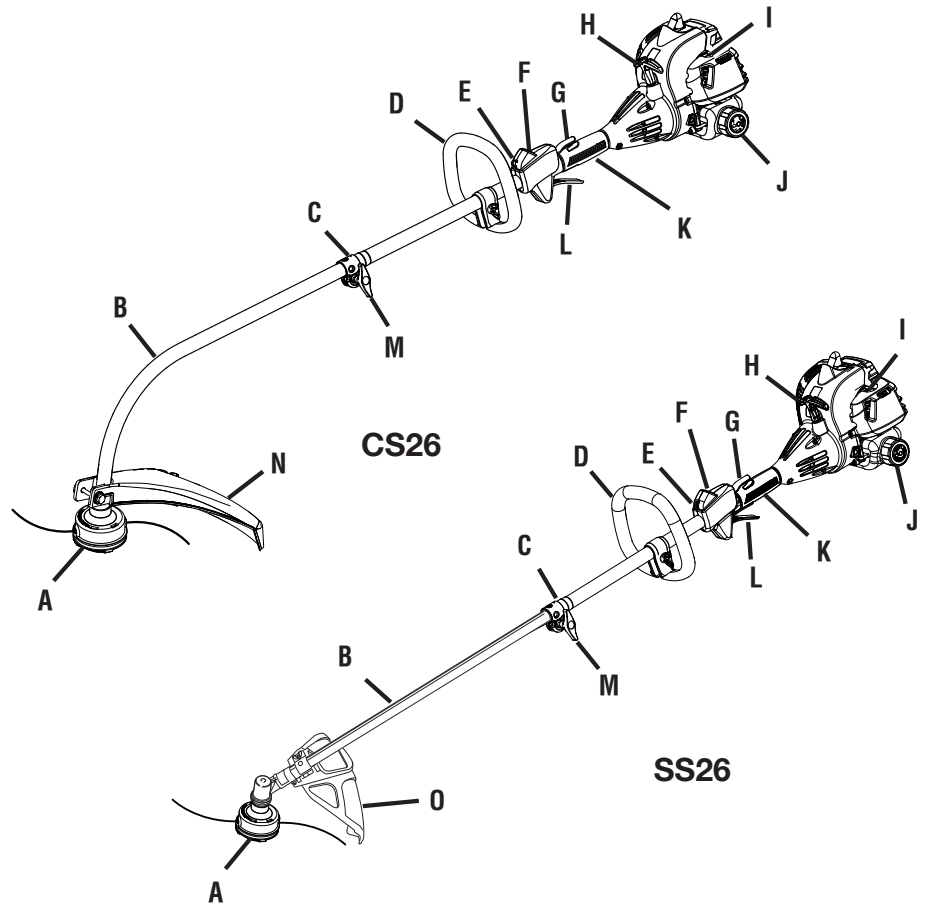
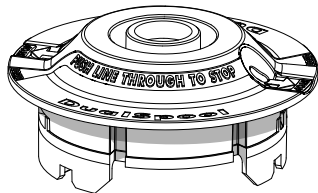
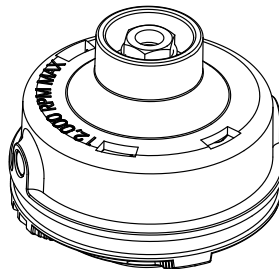


Fig. 2

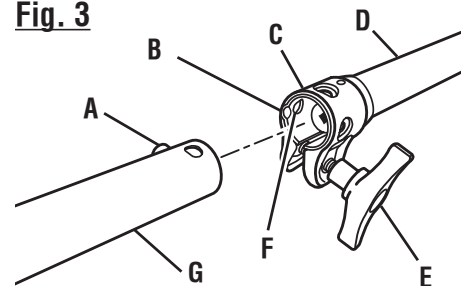


DUAL SPOOL™ FIXED LINE STRING HEAD INSERT
BOBINE À FIL FIXE DUAL SPOOL™
INSERTO PARA CABEZAL DEL HILO CON LÍNEA FIJA DUAL SPOOL™

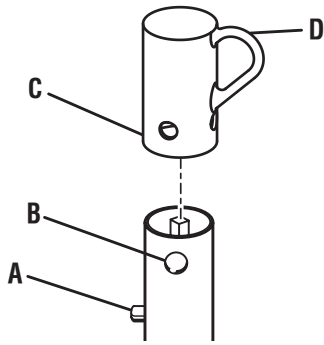


REEL-EASY™ TAP ADVANCE SYSTEM
AVANCE DE LA LIGNE DE COUPE À TAPANT REEL-EASY™
SISTEMA DE AVANCE DE HILO POR GOLPE REEL-EASY™

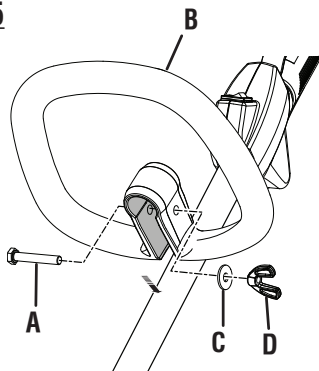
Fig. 3



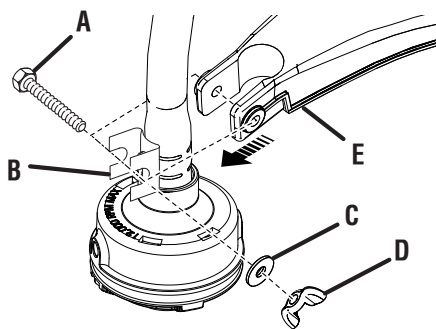
- A - Button (bouton, botón)
- B - Guide recess (logement guide, hueco guía)
- C - Coupler (coupleur, acoplador)
- D - Power head shaft (arbre du bloc moteur, eje del cabezal motor)
- E - Knob (bouton, perilla)
- F - Positioning hole (trou de positionnement, orificio de posicionamiento)
- G - Trimmer attachment (accessoire taille-bordures, aditamento para recortar)

Fig. 4

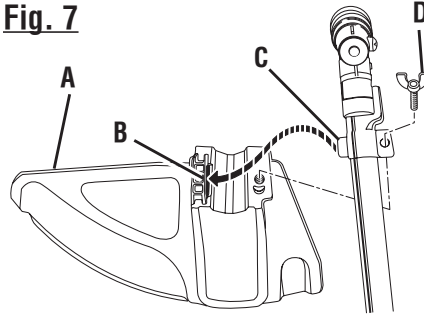
- A - Button (bouton, botón)
- B - Secondary hole (trou secondaire, orificio secundario)
- C - Hole (trou, orificio)
- D - Hanger cap (capuchon de suspension, tapa de suspensión)

Fig. 5

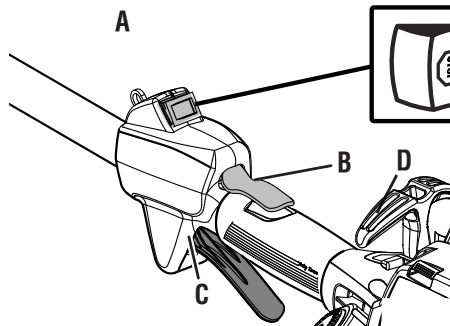
- A - Bolt (boulon, perno)
- B - Front handle (poignée avant, mango delantero)
- C - Washer (rondelle, arandela)
- D - Wing nut (écrou papillon, tuerca de mariposa)

Fig. 6

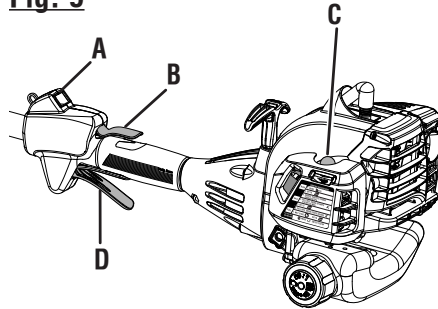
- A - Bolt (boulon, perno)
- B - Bracket (support, placa)
- C - Washer (rondelle, arandela)
- D - Wing nut (écrou à oreilles, tuerca de mariposa)
- E - Curved shaft grass deflector (déflecteur d'herbe, deflector de pasto)

Fig. 7

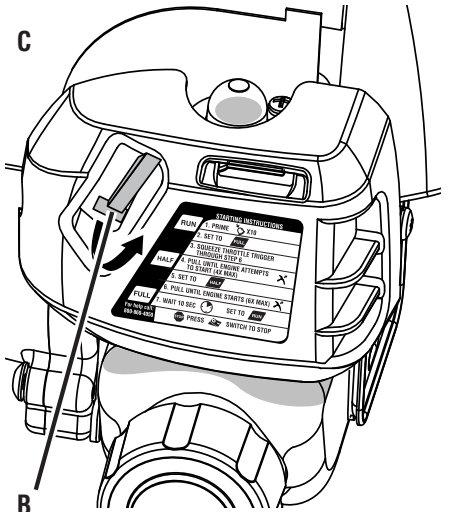
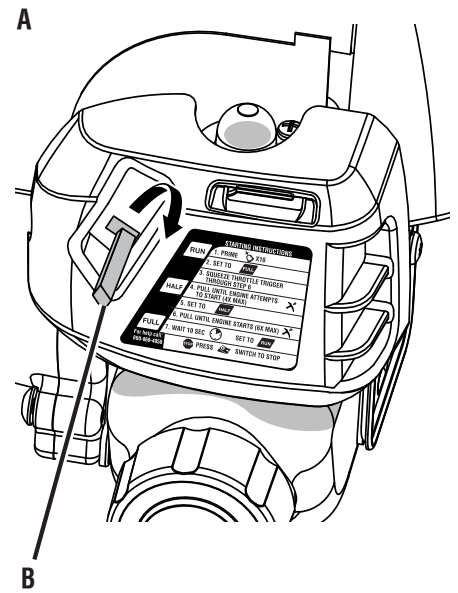
- A - Straight shaft grass deflector (déflecteur d'herbe d'arbre droit, deflector de pasto para eje recto)
- B - Slot (fente, ranura)
- C - Tab (languette, orejeta)
- D - Wing screw (vis à oreilles, tornillo de mariposa)

Fig. 8

- A - Stop switch (l'interrupteur d'arrêt, interruptor de parada)
- B - Trigger lock-out (verrouillage de gâchette, seguro del gatillo)
- C - Throttle trigger (gâchette d'accélérateur, gatillo del acelerador)
- D - Starter handle and rope (poignée du lanceur et corde, mango del arrancador y cuerda)

Fig. 9

- A - Stop switch (l'interrupteur d'arrêt, interruptor de parada)
- B - Trigger lock-out (verrouillage de gâchette, seguro del gatillo)
- C - Primer bulb (poire d'amorçage, bomba de cebado)
- D - Throttle trigger (gâchette d'accélérateur, gatillo del acelerador)

Fig. 10

- A - Full Choke (volet de départ ouvert, anegación máxima)
- B - Choke lever (levier de volet de départ, palanca del anegador)
- C - Run position (position de marche, posición de marcha)

Fig. 11

**PROPER OPERATING POSITION
BONNE POSITION DE TRAVAIL
POSICIÓN CORRECTA PARA EL MANEJO
DE LA HERRAMIENTA**

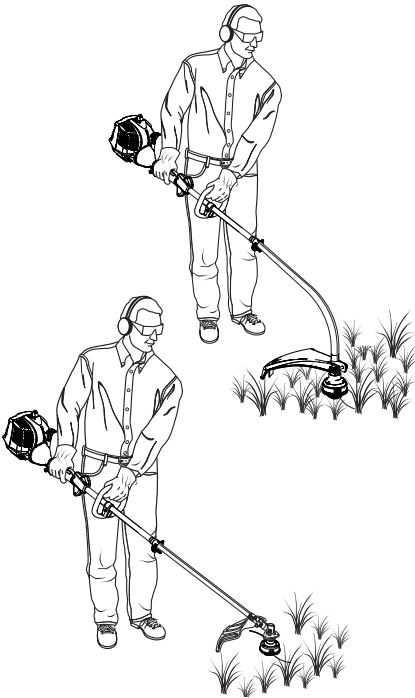
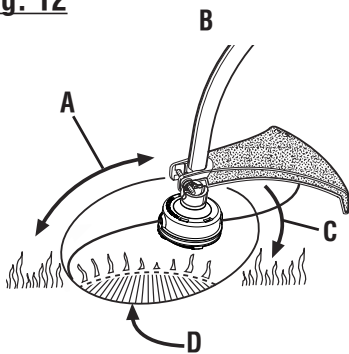
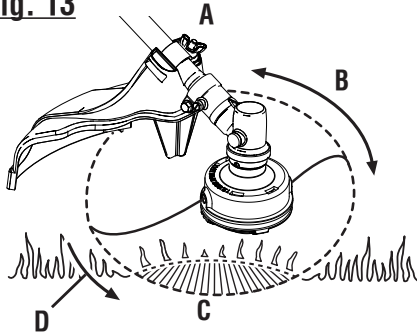


Fig. 12



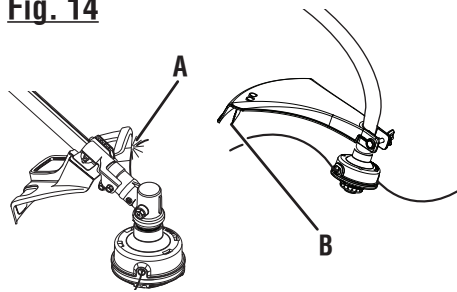
- A - Dangerous cutting area (zone de coupe dangereuse, área peligrosa de corte)
- B - Curved shaft trimmer (taille-bordures à arbre courbe, recortadora de eje curvo)
- C - Direction of rotation (sens de rotation, sentido de rotación)
- D - Best cutting area (zone d'efficacité maximum, mejor área de corte)

Fig. 13



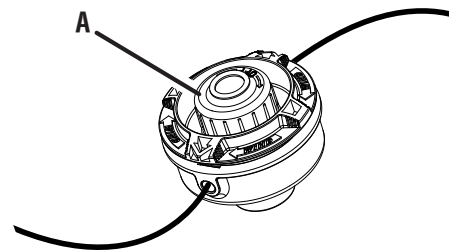
- A - Straight shaft trimmer (taille-bordures à arbre droit, recortadora de eje recto)
- B - Dangerous cutting area (zone de coupe dangereuse, área peligrosa de corte)
- C - Best cutting area (zone d'efficacité maximum, mejor área de corte)
- D - Direction of rotation (sens de rotation, sentido de rotación)

Fig. 14



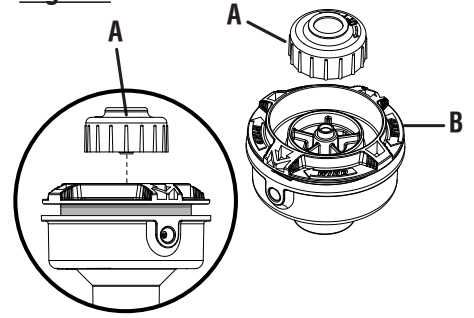
- A - Straight shaft trimmer cut-off blade (lame de sectionnement de ligne du taille-bordures à arbre droit, cuchilla de corte de hilo de la recortadora de eje recto)
- B - Curved shaft trimmer cut-off blade (lame de sectionnement de ligne du taille-bordures à arbre courbe, cuchilla de corte de hilo de la recortadora de eje recto)

Fig. 15



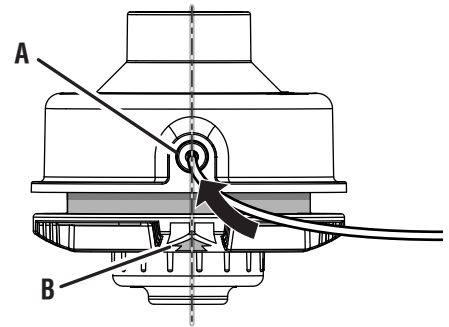
- A - Spool retainer (retenue de bobine, retén del carrete)

Fig. 16



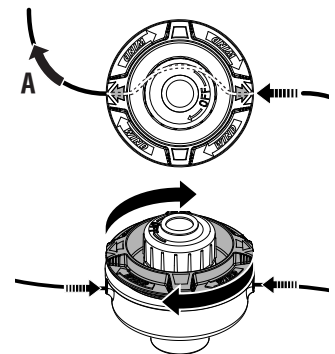
- A - Spool retainer (retenue de bobine, retén del carrete)
- B - Spool (bobine, carrete)

Fig. 17



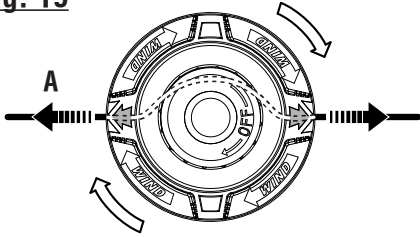
- A - Eyelet (oeillet, ojillo)
- B - Arrow on spool (flèche sur la bobine, flecha en el carrete)

Fig. 18



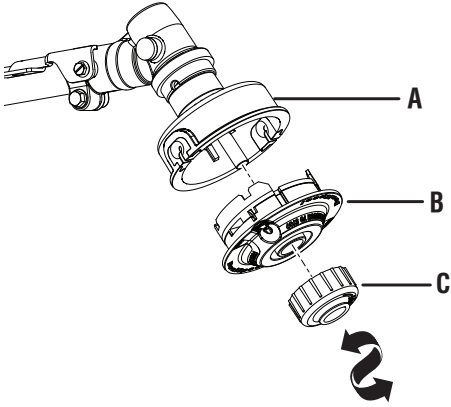
- A - Pull strings (tirer vers l'extérieur, tira del hilo)
- B - Rotate the spool counterclockwise (tourner le bobine dans le sens antihoraire, gire a la izquierda el carrete)

Fig. 19



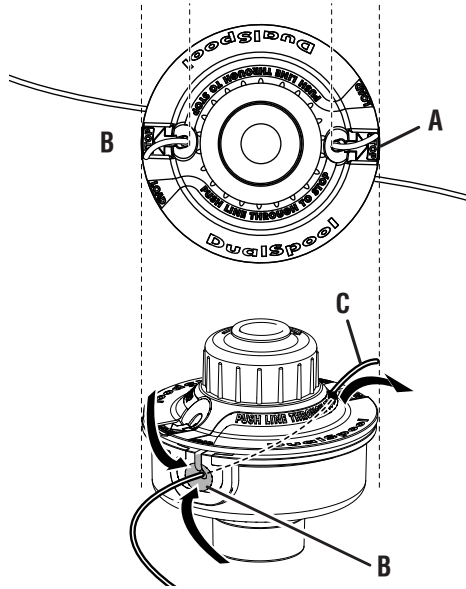
A - Pull strings (tirer vers l'extérieur, tira del hilo)

Fig. 20



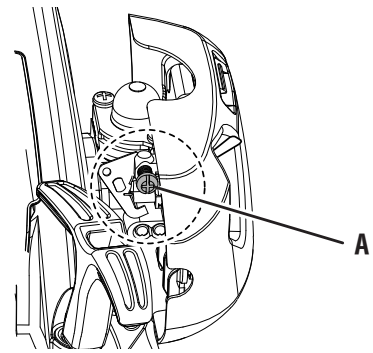
A - String head housing (boîtier de tête de coupe, alojamiento del cabezal de hilo)
 B - Spool (bobine, carrete)
 C - Spool retainer (retenue de bobine, retén del carrete)

Fig. 21



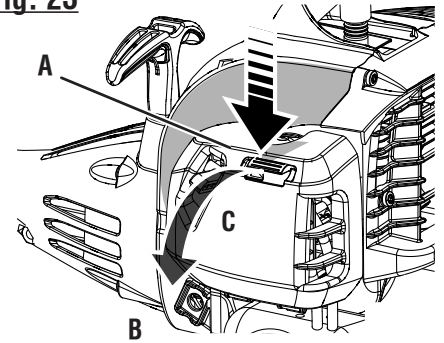
A - Insert line through slots until approx. 1 in. protrudes from holes [insérer les fils dans les fentes de manière à les faire dépasser d'environ 25 mm (1 po), introduzca los hilos a través de las ranuras hasta que sobresalgan aproximadamente 25 mm (1 pulg.) de los orificios]
 B - Eyelet (trou, ojillos)
 C - Pull line from holes to remove (tirer les fils hors des trous afin de les retirer, tire de los hilos para retirar los a través de los orificios)

Fig. 22



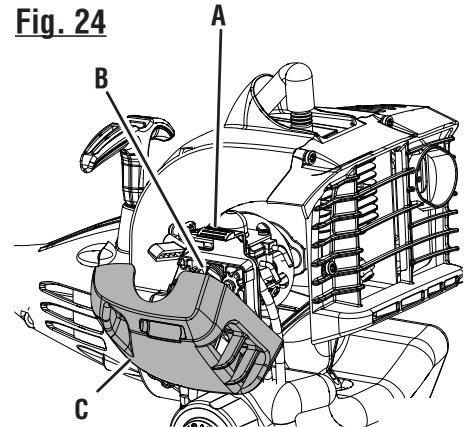
A - Idle speed screw (vis de ralenti, tornillo de ajuste de la velocidad en vacío)

Fig. 23



A - Latch (loquet, pestillo)
 B - Pull cover to open (tirer sur le couvercle pour l'ouvrir, tire de la tapa para abrirla)
 C - Air filter cover (couvercle du filtre à air, tapa del filtro de aire)

Fig. 24



A - Latch (loquet, pestillo)
 B - Filter screen (filtre écran, filtro pantalla)
 C - Air filter cover (couvercle du filtre à air, tapa del filtro de aire)

TABLE OF CONTENTS

TABLE DES MATIÈRES / ÍNDICE DE CONTENIDO

■ Introduction	2
Introduction / Introducción	
■ General Safety Rules	3
Règles de sécurité générales / Reglas de seguridad generales	
■ Specific Safety Rules.....	4
Règles de sécurité particulières / Reglas de seguridad específicas	
■ Symbols.....	5
Symboles / Símbolos	
■ Features.....	6
Caractéristiques / Características	
■ Assembly	6-8
Assemblage / Armado	
■ Operation.....	8-9
Utilisation / Funcionamiento	
■ Maintenance	10-11
Entretien / Mantenimiento	
■ Troubleshooting	12
Dépannage / Solución de problemas	
■ Warranty	13-15
Garantie / Garantía	
■ Parts Ordering and Service	Back Page
Commande de pièces et réparation / Pedidos de piezas y servicio	Page arrière / Pág. posterior

INTRODUCTION

INTRODUCTION / INTRODUCCIÓN

This product has many features for making its use more pleasant and enjoyable. Safety, performance, and dependability have been given top priority in the design of this product making it easy to maintain and operate.

* * *

Ce produit offre de nombreuses fonctions destinées à rendre son utilisation plus plaisante et satisfaisante. Lors de la conception de ce produit, l'accent a été mis sur la sécurité, les performances et la fiabilité, afin d'en faire un outil facile à utiliser et à entretenir.

* * *

Este producto ofrece numerosas características para hacer más agradable y placentero su uso. En el diseño de este producto se ha conferido prioridad a la seguridad, el desempeño y la fiabilidad, por lo cual se facilita su manejo y mantenimiento.

GENERAL SAFETY RULES

WARNING:

Read and understand all instructions. Failure to follow all instructions listed below may result in electric shock, fire and/or serious personal injury.

READ ALL INSTRUCTIONS

- For safe operation, read and understand all instructions before using this product. Follow all safety instructions. Failure to follow all safety instructions listed below, can result in serious personal injury.
- Do not allow children or untrained individuals to use this unit.
- Never start or run the engine in a closed or poorly ventilated area; breathing exhaust fumes can kill.
- Clear the work area before each use. Remove all objects such as rocks, broken glass, nails, wire, or loose string which can be thrown or become entangled in the cutting line or blade.
- Always wear eye protection with side shields marked to comply with ANSI Z87.1 along with hearing protection when operating this equipment.
- Wear heavy, long pants, long sleeves, boots, and gloves. Do not wear loose fitting clothing, short pants, sandals, or go barefoot. Do not wear jewelry of any kind.
- Heavy protective clothing may increase operator fatigue, which could lead to heat stroke. During weather that is hot and humid, heavy work should be scheduled for early morning or late afternoon hours when temperatures are cooler.
- Product users on United States Forest Service land, and in some states, must comply with fire prevention regulations. This product is equipped with a spark arrestor; however, other user requirements may apply. Check with your federal, state, or local authorities.
- Never operate this unit on the operator's left side.
- Secure long hair above shoulder level to prevent entanglement in moving parts.
- Keep all bystanders, children, and pets at least 50 ft. away. Bystanders should be encouraged to wear eye protection. If you are approached, stop the engine and cutting attachment. In the case of bladed units, there is the added risk of injury to bystanders from being struck with the moving blade in the event of a blade thrust or other unexpected reaction of the saw.
- Do not operate this unit when you are tired, ill, or under the influence of alcohol, drugs, or medication.
- Do not operate in poor lighting.
- Keep firm footing and balance. Do not overreach. Overreaching can result in loss of balance or exposure to hot surfaces.
- Keep all parts of your body away from any moving part.
- To avoid hot surfaces, never operate the unit with the bottom of the engine above waist level.
- Do not touch area around the muffler or cylinder of the unit, these parts get hot from operation. Contact with hot surfaces could result in possible serious personal injury.
- Always stop the engine and remove the spark plug wire before making any adjustments or repairs except for carburetor adjustments.
- Inspect the unit before each use for loose fasteners, fuel leaks, etc. Replace any damaged parts before use.
- The cutting attachment should never rotate at idle during normal use. The cutting attachment may rotate at idle during carburetor adjustments.
- It has been reported that vibrations from hand-held tools may contribute to a condition called Raynaud's Syndrome in certain individuals. Symptoms may include tingling, numbness, and blanching of the fingers, usually apparent upon exposure to cold. Hereditary factors, exposure to cold and dampness, diet, smoking, and work practices are all thought to contribute to the development of these symptoms. It is presently unknown what, if any, vibrations or extent of exposure may contribute to the condition. There are measures that can be taken by the operator to possibly reduce the effects of vibration:
 - a) Keep your body warm in cold weather. When operating the unit wear gloves to keep hands and wrists warm. It is reported that cold weather is a major factor contributing to Raynaud's Syndrome.
 - b) After each period of operation, exercise to increase blood circulation.
 - c) Take frequent work breaks. Limit the amount of exposure per day.
 - d) Keep the tool well maintained, fasteners tightened, and worn parts replaced.If you experience any of the symptoms of this condition, immediately discontinue use and see your physician about these symptoms.
- Mix and store fuel in a container approved for gasoline.
- Mix fuel outdoors where there are no sparks or flames. Wipe up any fuel spillage. Move 30 ft. away from refueling site before starting engine. Slowly remove the fuel cap after stopping engine. Do not smoke when refueling.
- Stop the engine and allow to cool before refueling or storing the unit.
- Allow the engine to cool; empty the fuel tank and secure the unit from moving before transporting in a vehicle.
- Wear your protective equipment and observe all safety instructions. For units equipped with a clutch, be sure the cutting attachment stops turning when the engine idles. When the unit is turned off make sure the cutting attachment has stopped before the unit is set down.




SPECIFIC SAFETY RULES

SPECIFIC SAFETY RULES FOR TRIMMER USE








- Inspect before use. Replace damaged parts. Make sure fasteners are in place and secure. Check for fuel leaks.
- Replace string head if cracked, chipped, or damaged in any way. Be sure the string head or blade is properly installed and securely fastened. Failure to do so can cause serious injury.
- Make sure all guards, straps, deflectors, and handles are properly and securely attached.
- Never use blades, flailing devices, wire, or rope. Use only the manufacturer's replacement line in the cutting head. Do not use any other cutting attachment. To install any other brand of cutting head to this string trimmer can result in serious personal injury.
- Never operate unit without the grass deflector in place and in good condition.
- Maintain a firm grip on both handles while trimming. Keep string head below waist level. Never cut with the string head located over 30 in. or more above the ground.

SYMBOLS

The following signal words and meanings are intended to explain the levels of risk associated with this product.

SYMBOL	SIGNAL	MEANING
	DANGER:	Indicates an imminently hazardous situation, which, if not avoided, will result in death or serious injury.
	WARNING:	Indicates a potentially hazardous situation, which, if not avoided, could result in death or serious injury.
	CAUTION:	Indicates a potentially hazardous situation, which, if not avoided, may result in minor or moderate injury.
	CAUTION:	(Without Safety Alert Symbol) Indicates a situation that may result in property damage.

Some of the following symbols may be used on this product. Please study them and learn their meaning for safe operation of this product.

SYMBOL	NAME	EXPLANATION
	Safety Alert	Indicates a potential personal injury hazard.
	Read Operator's Manual	To reduce the risk of injury, user must read and understand operator's manual before using this product.
	Eye and Hearing Protection	Always wear eye protection with side shields marked to comply with ANSI Z87.1 along with hearing protection when operating this equipment.
	Keep Bystanders Away	Keep all bystanders at least 50 ft. away.
	Ricochet	Thrown objects can ricochet and result in personal injury or property damage.
	No Blade	Do not install or use any type of blade on a product displaying this symbol.
	Gasoline and Lubricant	Use unleaded gasoline intended for motor vehicle use with an octane rating of 87 [(R + M) / 2] or higher. This product is powered by a 2-cycle engine and requires pre-mixing gasoline and 2-cycle lubricant.

FEATURES

PRODUCT SPECIFICATIONS

Weight - (without fuel)

CS26	10.3 lbs.
SS26	11.8 lbs.

Line cutting width

CS26	17 in.
SS26	18 in.

Engine displacement26cc

Line diameter

Reel-Easy™ Tap Advance System095 in.
Dual Spool™ Fixed Line String Head Insert.....	.095 in. to .105 in. max.

KNOW YOUR PRODUCT

See Figures 1 - 2.

The safe use of this product requires an understanding of the information on the tool and in this operator's manual as well as a knowledge of the project you are attempting. Before use of this product, familiarize yourself with all operating features and safety rules.

GRASS DEFLECTOR

The product includes a grass deflector that helps protect you from flying debris.

REEL-EASY™ TAP ADVANCE SYSTEM

The Reel-Easy™ Tap Advance System allows easy line advance during trimmer operation.

TOP-MOUNTED MOTOR

The top-mounted motor improves balance and is located away from the dust and debris of the cutting area.

ASSEMBLY

UNPACKING

This product requires assembly.

- Carefully remove the items from the box. Make sure that all items listed in the packing list are included.



WARNING:

Do not use this product if any parts on the packing list are already assembled to your product when you unpack it. Parts on this list are not assembled to the product by the manufacturer and require customer installation. Use of a product that may have been improperly assembled could result in serious personal injury.

- Inspect the unit carefully to make sure no damage occurred during shipping.
- Do not discard the packing material until you have carefully inspected and satisfactorily operated the product.
- If any parts are damaged or missing, please call 1-800-860-4050 for assistance.

PACKING LIST

CS26

- Trimmer Assembly
- Front Handle
- Curved Shaft Grass Deflector
- Dual Spool™ Fixed Line String Head Insert
- Bottle of 2-Cycle Lubricant
- Operator's Manual

SS26

- Trimmer Assembly
- Front Handle
- Dual Spool™ Fixed Line String Head Insert
- Straight Shaft Grass Deflector
- Bottle of 2-Cycle Lubricant
- Operator's Manual

ASSEMBLY

WARNING:

If any parts are damaged or missing do not operate this product until the parts are replaced. Use of this product with damaged or missing parts could result in serious personal injury.

WARNING:

Do not attempt to modify this product or create accessories not recommended for use with this product. Any such alteration or modification is misuse and could result in a hazardous condition leading to possible serious personal injury.

WARNING:

To prevent accidental starting that could cause serious personal injury, always disconnect the engine spark plug wire from the spark plug when assembling parts.

INSTALLING THE POWER HEAD TO THE ATTACHMENT

See Figure 3.

WARNING:

Never install, remove, or adjust any attachment while power head is running. Failure to stop the engine can cause serious personal injury.

The attachment connects to the power head by means of a coupler device.

- Loosen the knob on the coupler of the power head shaft and remove the hanger cap from the attachment.
- Push in the button located on the trimmer attachment. Align the button with the guide recess on the power head coupler and slide the two shafts together. Rotate the trimmer attachment until the button locks into the positioning hole.

NOTE: If the button does not release completely in the positioning hole, the shafts are not locked into place. Slightly rotate from side to side until the button is locked into place.

- Tighten the knob securely.

WARNING:

Be certain the knob is fully tightened before operating equipment; check it periodically for tightness during use to avoid serious personal injury.

REMOVING THE ATTACHMENT FROM THE POWER HEAD

For removing or changing the attachment:

- Loosen the knob.
- Push in the button and twist the shafts to remove and separate ends.

ATTACHING THE STORAGE HANGER

See Figure 4.

There are two ways to hang your attachment for storage:

- To use the hanger cap, push in the button and place the hanger cap over end of trimmer attachment. Slightly rotate the cap from side to side until the button locks into place.
- The secondary hole in the trimmer attachment can be used for hanging purposes as well.

ATTACHING THE FRONT HANDLE

See Figure 5.

- Remove wing nut, washer, and bolt from the front handle.
- Install the front handle onto the top side of the drive shaft housing in the area indicated by the label.

NOTE: The open side of the handle should face the operator.

- Place the bolt through the front handle.

NOTE: The hex bolt head fits inside the hex recess molded into one side of the handle.

- Reinstall the washer and wing nut.
- Tighten wing nut securely.

ATTACHING THE GRASS DEFLECTOR

WARNING:

The line cutting blade on the grass deflector is sharp. Avoid contact with the blade. Failure to avoid contact can result in serious personal injury.

TO ATTACH THE CURVED SHAFT GRASS DEFLECTOR - CS26

See Figure 6.

- Remove hex screw, washer, and wing nut from grass deflector.
- Press the grass deflector onto the bottom of the curved shaft as shown.
- Insert the hex screw through the grass deflector and the bracket on the curved shaft.
- Place the washer on the hex screw.
- Place the wing nut on the hex screw and tighten securely.

ASSEMBLY

TO ATTACH THE STRAIGHT SHAFT GRASS DEFLECTOR - SS26

See Figure 7.

- Remove the wing screw from the grass deflector.
- Insert the tab on the mounting bracket in the slot on the grass deflector.

- Align the screw hole in the mounting bracket with the screw hole in the grass deflector.
- Insert the wing screw through the mounting bracket and into the grass deflector.
- Tighten the screw securely.

OPERATION

WARNING:

Do not allow familiarity with this product to make you careless. Remember that a careless fraction of a second is sufficient to inflict serious injury.

WARNING:

Always wear eye protection with side shields marked to comply with ANSI Z87.1, along with hearing protection. Failure to do so could result in objects being thrown into your eyes resulting in possible serious injury.

WARNING:

Never use blades, flailing devices, wire, or rope on this product. Do not use any attachments or accessories not recommended by the manufacturer of this product. The use of attachments or accessories not recommended can result in serious personal injury.

FUELING AND REFUELING THE TRIMMER

FUEL MIXTURE

This product is powered by a 2-cycle engine and requires pre-mixing gasoline and 2-cycle lubricant. Pre-mix unleaded gasoline and 2-cycle engine lubricant in a clean 1 gallon container approved for gasoline.

Recommended fuel: This engine is certified to operate on unleaded gasoline intended for automotive use.

Mix a high quality 2-cycle engine lubricant at 2.6 oz. per gallon (US).

Do not use automotive lubricant or 2-cycle outboard lubricant. DO NOT mix quantities larger than usable in a 30 day period.

HIGH QUALITY 2-CYCLE ENGINE LUBRICANT



GASOLINE

1 gallon (US)
1 liter

LUBRICANT

2.6 oz.
20 cc (20 ml)

FILLING TANK

- Clean surface around fuel cap to prevent contamination.
- Loosen fuel cap slowly. Rest the cap on a clean surface.
- Carefully pour fuel into the tank. Avoid spillage.
- Prior to replacing the fuel cap, clean and inspect the gasket.
- Immediately replace fuel cap and hand tighten. Wipe up any fuel spillage.

NOTE: It is normal for smoke to be emitted from a new engine after first use.

WARNING:

Always shut off engine before fueling. Never add fuel to a machine with a running or hot engine. Move at least 30 ft. from refueling site before starting engine. Do not smoke! Failure to heed this warning could result in serious personal injury.

OXYGENATED FUELS

DO NOT USE E85 FUEL. IT WILL VOID YOUR WARRANTY.

NOTE: Fuel system damage or performance problems resulting from the use of an oxygenated fuel containing more than the percentages of oxygenates stated below **are not covered under warranty.**

Ethanol. Gasoline containing up to 10% ethanol by volume (commonly referred to as E10) or 15% ethanol by volume (commonly referred to as E15) are acceptable. **E85 is not.**

STARTING AND STOPPING

See Figures 8 - 10.

Trimmer should be on a flat, bare surface for starting.

To start a cold engine:

- Slowly press the primer bulb 10 times.
NOTE: After the 7th press, fuel should be visible in the primer bulb. If it is not, continue to press the primer until you see fuel in the bulb.
- Set the choke lever to the **FULL CHOKE** position.

OPERATION

- Squeeze the throttle trigger fully and pull starter handle sharply until engine attempts to run. Do not pull the starter handle more than four (4) times.

NOTE: Keep throttle trigger squeezed fully.

- Set the choke lever to the **HALF CHOKE** position.
- Pull the starter grip until the engine runs. Do not pull the starter grip more than six (6) times.


NOTE: If the engine does not start, return to the full choke position and repeat the steps that follow.

- Allow the engine to run for 10 seconds, then set the choke lever to the **RUN** position.

To restart a warm engine:

- Slowly press the primer bulb 10 times.
- Set the choke lever to the **RUN** position.
- Squeeze the throttle trigger fully and pull the starter handle until the engine runs.

To stop the engine:

- To stop the engine, depress the **STOP** switch to the stop position “”.

IF ASSISTANCE IS REQUIRED FOR THIS PRODUCT:

Do not return this product to the retail store where it was purchased. Please call our Customer Service Department for any issues you may have.

For Help Call: 1-800-860-4050

OPERATING THE TRIMMER

See Figure 11.

WARNING:

Always position the unit on the operator's right side. The use of the unit on the operator's left side will expose the user to hot surfaces and can result in possible burn injury.

WARNING:

To avoid burns from hot surfaces, never operate unit with the bottom of the engine above waist level.

Hold the trimmer with your right hand on the rear handle and your left hand on the front handle. Keep a firm grip with both hands while in operation. Trimmer should be held at a comfortable position with the rear handle about hip height.

Always operate trimmer in **RUN** position. Cut tall grass from the top down. This will prevent grass from wrapping around the shaft housing and string head which could cause damage from overheating. If grass becomes wrapped around the string head, **STOP THE ENGINE**, disconnect the spark plug wire, and remove the grass. Prolonged cutting at partial throttle will result in lubricant dripping from the muffler.

WARNING:

Always hold the string trimmer away from the body keeping clearance between the body and the product. Any contact with the housing or string trimmer cutting head can result in burns and/or other serious personal injury.

CUTTING TIPS

See Figures 11 - 13.

- Avoid hot surfaces by always keeping the tool away from your body. (Proper operating position shown in figure 11.)
- Keep the trimmer tilted toward the area being cut; this is the best cutting area.
- The curved shaft trimmer cuts when passing the unit from right to left. The straight shaft trimmer cuts when passing the unit from left to right. This will avoid throwing debris at the operator. Avoid cutting in the dangerous area shown in illustration.
- Use the tip of line to do the cutting; do not force string head into uncut grass.
- Wire and picket fences cause extra line wear, even breakage. Stone and brick walls, curbs, and wood may wear line rapidly.
- Avoid trees and shrubs. Tree bark, wood moldings, siding, and fence posts can easily be damaged by the line.

ADVANCING STRING USING THE REEL-EASY™ TAP ADVANCE SYSTEM

String advance is controlled by tapping the string head's spool retainer on grass while running engine at full throttle.

- Run engine at full throttle.
- Tap string head on ground to advance string. String advances each time the head is tapped.
- Several taps may be required until string strikes the cut off blade.
- Resume trimming.

NOTE: If the string is worn too short you may not be able to advance the string by tapping it on the ground. If so, **STOP THE ENGINE**, disconnect the spark plug wire, and manually advance the string.

ADVANCING THE STRING MANUALLY

With the engine off and the spark plug wire disconnected, push the spool retainer down while pulling on string(s) to manually advance the string.

GRASS DEFLECTOR LINE TRIMMING CUT-OFF BLADE

See Figure 14.

The trimmer is equipped with a line trimming cut-off blade on the grass deflector. For best cutting, advance line until it is trimmed to length by the cut-off blade. Advance the line whenever you hear the engine running faster than normal, or when trimming efficiency diminishes. This will maintain best performance and keep the line long enough to advance properly.

MAINTENANCE

WARNING:

When servicing, use only identical replacement parts. Use of any other parts may create a hazard or cause product damage.

WARNING:

Always wear eye protection with side shields marked to comply with ANSI Z87.1, along with hearing protection. Failure to do so could result in objects being thrown into your eyes resulting in possible serious injury.

WARNING:

Before inspecting, cleaning, or servicing the machine, shut off engine, wait for all moving parts to stop, and disconnect spark plug wire and move it away from spark plug. Failure to follow these instructions can result in serious personal injury or property damage.

GENERAL MAINTENANCE

Avoid using solvents when cleaning plastic parts. Most plastics are susceptible to damage from various types of commercial solvents and may be damaged by their use. Use clean cloths to remove dirt, dust, lubricant, grease, etc.

WARNING:

Do not at any time let brake fluids, gasoline, petroleum-based products, penetrating lubricants, etc., come in contact with plastic parts. Chemicals can damage, weaken or destroy plastic which may result in serious personal injury.

You can often make adjustments and repairs described here. For other repairs, have the trimmer serviced by an authorized service dealer.

SPOOL REPLACEMENT REEL-EASY™ TAP ADVANCE SYSTEM

See Figures 15 - 17.

If replacing line only, refer to **Line Replacement** later in this manual.

Use only .095 in. trimmer line.

- Stop the engine and disconnect the spark plug wire. Hold the string head and unscrew the spool retainer.

To remove the spool retainer:

Turn the spool retainer counterclockwise for 26CS.

Turn the spool retainer clockwise for 26SS.

- Remove the empty spool from the string head.
NOTE: It is not necessary to remove the string head housing from the drive shaft.
- Insert the new spool into the string head.
NOTE: Make sure the arrows on the spool are aligned with the eyelets in the string head housing. Push down and hold the spool and housing together while completing the installation.
- Reinstall the spool retainer to secure.
To install the spool retainer:
Turn the spool retainer clockwise for CS26.
Turn the spool retainer counterclockwise for SS26.
- Install line as described in **LINE REPLACEMENT**.

LINE REPLACEMENT

See Figures 17 - 19.

- Stop the engine and disconnect the spark plug wire.
- Rotate the spool clockwise as necessary to align the arrows on the spool with the eyelets in the string head housing.
- Cut one piece of trimmer line 10 ft. long. Insert the line into the eyelet on the string trimmer housing. Push until the end of the line comes out the other side of the string head. Pull the line from the other side until equal amounts of line appear on both sides of the spool.
- Rotate the spool clockwise to wind the line on the spool until approximately 6 in. of line is showing on each side.
- Push the spool retainer down while pulling on line(s) to manually advance the line and to check for proper assembly of the string head.

INSTALLING DUAL SPOOL™ FIXED LINE STRING HEAD INSERT

See Figures 20 - 21.

- Stop the engine and disconnect the spark plug wire.
- Remove spool retainer.
- Remove the spool and spring from the string head.
- Find the word LOAD on top of the Dual Spool™ Fixed Line String Head Insert, then locate the openings on the sides of the insert beneath LOAD. Place the insert inside the string head so that the openings on the sides of the insert align with the slots on the sides of the string head. Make sure the spool is completely seated.
- Reinstall the spool retainer on the string head and turn counterclockwise to secure.
- Install line as described in the next section of this manual.

MAINTENANCE

INSTALLING LINE IN DUAL SPOOL™ FIXED LINE STRING HEAD INSERT

See Figure 21.

Use monofilament line between .095 in. and .105 in. diameter.

- Stop the engine and disconnect the spark plug wire.
- Gather two of the pre-cut lengths of trimmer line provided or cut two pieces of trimmer line in 11 in. lengths.
- Insert the lines into the eyelets located on the sides of the string head. Line should be pushed in until approximately 1 in. protrudes from the holes on the top of the string head.
- Remove old line by pulling it from the holes located on the top of the string head.

CLEANING THE EXHAUST PORT AND MUFFLER

NOTE: Depending on the type of fuel used, the type and amount of lubricant used, and/or your operating conditions, the exhaust port, muffler, and/or spark arrestor screen may become blocked with carbon deposits. If you notice a power loss with your gas powered tool, you may need to remove these deposits to restore performance. We highly recommend that only qualified service technicians perform this service.

SPARK ARRESTOR

The spark arrestor must be cleaned or replaced every 50 hours or yearly to ensure proper performance of your product. Spark arrestors may be in different locations depending on the model purchased. Please contact your nearest service dealer for the location of the spark arrestor for your model.

IDLE SPEED ADJUSTMENT

See Figure 22.

If the cutting attachment turns at idle, the idle speed screw needs adjusting on the engine. Turn the idle speed screw counterclockwise to reduce the idle RPM and stop the cutting attachment movement. If the cutting attachment still moves at idle speed, contact a service dealer for adjustment and discontinue use until the repair is made.

WARNING:

The cutting attachment should never turn at idle. Turn the idle speed screw counterclockwise to reduce the idle RPM and stop the cutting attachment, or contact a service dealer for adjustment and discontinue use until the repair is made. Serious personal injury may result from the cutting attachment turning at idle.

CLEANING AIR FILTER SCREEN

See Figures 23 - 24.

For proper performance and long life, keep air filter screen clean.

- Remove the air filter cover by pushing down on the latch with your thumb while gently pulling on the cover.
- Brush the air filter screen lightly to clean.
- Replace the air filter cover by inserting the tabs on the bottom of the cover into the slots on the air filter base; push the cover up until it latches securely in place.

FUEL CAP

WARNING:

Check for fuel leaks. A leaking fuel cap is a fire hazard and must be replaced immediately. If you find any leaks, correct the problem before using the product. Failure to do so could result in a fire that could cause serious personal injury.

The fuel cap contains a non-serviceable filter and a check valve. A clogged fuel filter will cause poor engine performance. If performance improves when the fuel cap is loosened, check valve may be faulty or filter clogged. Replace fuel cap if required.

SPARK PLUG REPLACEMENT

This engine uses a Champion RCJ-6Y, NGK BPMR7A, or Ryobi AC00160 spark plug with .025 in. electrode gap. Use an exact replacement and replace annually.

STORING THE PRODUCT

- Clean all foreign material from the product. Store idle unit indoors in a dry, well-ventilated area that is inaccessible to children. Keep away from corrosive agents such as garden chemicals and de-icing salts.
- Abide by all ISO and local regulations for the safe storage and handling of gasoline.

When storing 1 month or longer:

- Drain all fuel from tank into a container approved for gasoline. Run engine until it stops.

TROUBLESHOOTING

IF THESE SOLUTIONS DO NOT SOLVE THE PROBLEM CONTACT YOUR AUTHORIZED SERVICE DEALER.

PROBLEM	POSSIBLE CAUSE	SOLUTION
Engine will not start	<ol style="list-style-type: none"> 1. No spark. 2. No fuel. 3. Engine is flooded. 	<ol style="list-style-type: none"> 1. Clean or replace spark plug. Reset spark plug gap. Refer to Spark Plug Replacement earlier in this manual. 2. Push primer bulb until bulb is full of fuel. If bulb does not fill, primary fuel delivery system is blocked. Contact an authorized service dealer. If primer bulb fills, engine may be flooded, proceed to next item. 3. Set the CHOKE lever to the RUN position. Squeeze the trigger and pull the rope repeatedly until the engine starts and runs. NOTE: Depending on the severity of the flooding, this may require numerous pulls of the rope.
Engine does not reach full speed and emits excessive smoke	<ol style="list-style-type: none"> 1. Incorrect lubricant/fuel mixture. 2. Air filter screen is dirty. 3. Spark arrestor screen is dirty. 4. Spark plug fouled. 	<ol style="list-style-type: none"> 1. Use fresh fuel and the correct 2-cycle lubricant mix. (50:1). 2. Clean air filter screen. Refer to Cleaning Air Filter Screen earlier in this manual. 3. Contact an authorized servicing dealer. 4. Clean or replace spark plug. Reset spark plug gap. Refer to Spark Plug Replacement earlier in this manual.
Engine starts, runs, and accelerates but will not idle	<ol style="list-style-type: none"> 1. Idle speed screw on carburetor needs adjustment. 	<ol style="list-style-type: none"> 1. Turn idle speed screw clockwise to increase idle speed. <i>See Figure 22.</i>
Line will not advance	<ol style="list-style-type: none"> 1. Line is welded to itself. 2. Not enough line on spool. 3. Line is worn too short. 4. Line is tangled on spool. 5. Engine speed is too slow. 	<ol style="list-style-type: none"> 1. Lubricate line with silicone spray. 2. Install more line. Refer to the applicable line replacement section in this manual. 3. Pull lines while alternately pressing down on and releasing spool retainer. 4. Remove line from spool and rewind. Refer to the applicable line replacement section in this manual. 5. Advance line at full throttle.
Spool retainer hard to turn	<ol style="list-style-type: none"> 1. Screw threads are dirty or damaged. 	<ol style="list-style-type: none"> 1. Clean threads and lubricate with grease - if no improvement, replace the spool retainer.
Grass wraps around drive shaft housing and string head	<ol style="list-style-type: none"> 1. Cutting tall grass at ground level. 2. Operating trimmer at part throttle. 	<ol style="list-style-type: none"> 1. Cut tall grass from the top down to prevent wrapping. 2. Operate trimmer at full throttle.

WARRANTY

THIS PRODUCT WAS MANUFACTURED WITH A CATALYST MUFFLER

Congratulations! You have made an investment toward protecting the environment. In order to maintain this product's original emission level, please refer to the maintenance section below.

EMISSIONS MAINTENANCE SCHEDULE AND WARRANTED PARTS LIST					
Emissions Parts	Inspect Before Each Use	Clean Every 5 Hours	Replace Every 25 Hours or Yearly	Clean Every 25 Hours or Yearly	Replace Every 125 Hours
CATALYTIC MUFFLER ASSEMBLY					X
AIR FILTER ASSY					
includes:					
Filter Screen		X			
SPARK SCREEN					X
CARBURETOR ASSY					
includes:					
Heat Dam		X			
Gaskets		X			
FUEL TANK ASSY					
includes:					
Fuel Lines		X			
Fuel Cap		X			
Fuel Filter					
IGNITION ASSY					
includes:					
Spark Plug			X		

ALL EMISSIONS-RELATED PARTS ARE WARRANTED FOR THREE YEARS OR FOR THE PERIOD OF TIME PRIOR TO THE PARTS FIRST SCHEDULED REPLACEMENT WHICHEVER COMES FIRST.



CALL US FIRST

For any questions about operating or maintaining your product,
call the Ryobi® Help Line!

Your product has been fully tested prior to shipment to ensure
your complete satisfaction.

WARRANTY

LIMITED WARRANTY STATEMENT

Techtronic Industries North America, Inc., warrants to the original retail purchaser that this RYOBI® brand outdoor product is free from defect in material and workmanship and agrees to repair or replace, at Techtronic Industries North America, Inc.'s, discretion, any defective product free of charge within these time periods from the date of purchase.

- Three years if the product is used for personal, family or household use;
- 90 days, if used for any other purpose, such as commercial or rental.

This warranty extends to the original retail purchaser only and commences on the date of the original retail purchase.

Any part of this product found in the reasonable judgment of Techtronic Industries North America, Inc. to be defective in material or workmanship will be repaired or replaced without charge for parts and labor by an authorized service center for RYOBI® brand outdoor products (Authorized Ryobi Service Center).

The product, including any defective part, must be returned to an authorized Ryobi service center within the warranty period. The expense of delivering the product to the service center for warranty work and the expense of returning it back to the owner after repair or replacement will be paid by the owner. Techtronic Industries North America, Inc.'s, responsibility in respect to claims is limited to making the required repairs or replacements and no claim of breach of warranty shall be cause for cancellation or rescission of the contract of sale of any RYOBI® brand outdoor product. Proof of purchase will be required by the dealer to substantiate any warranty claim. All warranty work must be performed by an authorized service dealer.

This warranty is limited to ninety (90) days from the date of original retail purchase for any RYOBI® brand outdoor product that is used for rental or commercial purposes, or any other income-producing purpose.

This warranty does not cover any product that has been subject to misuse, neglect, negligence, or accident, or that has been operated in any way contrary to the operating instructions as specified in this operator's manual. This warranty does not apply to any damage to the product that is the result of improper maintenance or to any product that has been altered or modified. The warranty does not extend to repairs made necessary by normal wear or by the use of parts or accessories which are either incompatible with the RYOBI® brand outdoor product or adversely affect its operation, performance, or durability. In addition, this warranty does not cover:

- A. Tune-ups – Spark Plugs, Carburetor, Carburetor Adjustments, Ignition, Filters
- B. Wear items – Bump Knobs, Outer Spools, Cutting Lines, Inner Reels, Starter Pulleys, Starter Ropes, Drive Belts, Tines, Felt Washers, Hitch Pins, Mulching Blades, Blower Fans, Blower and Vacuum Tubes, Vacuum Bag and Straps, Guide Bars, Saw Chains

Techtronic Industries North America, Inc., reserves the right to change or improve the design of any RYOBI® brand outdoor product without assuming any obligation to modify any product previously manufactured.

ALL IMPLIED WARRANTIES ARE LIMITED IN DURATION TO THE STATED WARRANTY PERIOD. ACCORDINGLY, ANY SUCH IMPLIED WARRANTIES INCLUDING MERCHANTABILITY, FITNESS FOR A PARTICULAR PURPOSE, OR OTHERWISE, ARE DISCLAIMED IN THEIR ENTIRETY AFTER THE EXPIRATION OF THE APPROPRIATE THREE-YEAR, ONE-YEAR, OR NINETY-DAY WARRANTY PERIOD. TECHTRONIC INDUSTRIES NORTH AMERICA, INC.'S, OBLIGATION UNDER THIS WARRANTY IS STRICTLY AND EXCLUSIVELY LIMITED TO THE REPAIR OR REPLACEMENT OF DEFECTIVE PARTS AND TECHTRONIC INDUSTRIES NORTH AMERICA, INC., DOES NOT ASSUME OR AUTHORIZE ANYONE TO ASSUME FOR THEM ANY OTHER OBLIGATION. SOME STATES DO NOT ALLOW LIMITATIONS ON HOW LONG AN IMPLIED WARRANTY LASTS, SO THE ABOVE LIMITATION MAY NOT APPLY TO YOU. TECHTRONIC INDUSTRIES NORTH AMERICA, INC., ASSUMES NO RESPONSIBILITY FOR INCIDENTAL, CONSEQUENTIAL, OR OTHER DAMAGES INCLUDING, BUT NOT LIMITED TO, EXPENSE OF RETURNING THE PRODUCT TO AN AUTHORIZED RYOBI SERVICE CENTER AND EXPENSE OF DELIVERING IT BACK TO THE OWNER, MECHANIC'S TRAVEL TIME, TELEPHONE OR TELEGRAM CHARGES, RENTAL OF A LIKE PRODUCT DURING THE TIME WARRANTY SERVICE IS BEING PERFORMED, TRAVEL, LOSS OR DAMAGE TO PERSONAL PROPERTY, LOSS OF REVENUE, LOSS OF USE OF THE PRODUCT, LOSS OF TIME, OR INCONVENIENCE. SOME STATES DO NOT ALLOW THE EXCLUSION OR LIMITATION OF INCIDENTAL OR CONSEQUENTIAL DAMAGES, SO THE ABOVE LIMITATION OR EXCLUSION MAY NOT APPLY TO YOU.

This warranty gives you specific legal rights, and you may also have other rights which vary from state to state.

This warranty applies to all RYOBI® brand outdoor products manufactured by or for Techtronic Industries North America, Inc., and sold in the United States and Canada.

To locate your nearest Authorized Ryobi Service Center, dial 1-800-860-4050.

WARRANTY

THE FOLLOWING CALIFORNIA AIR RESOURCES BOARD (CARB) STATEMENT ONLY APPLIES TO MODEL NUMBERS REQUIRED TO MEET THE CARB REQUIREMENTS.

TECHTRONIC INDUSTRIES NORTH AMERICA, INC., LIMITED WARRANTY STATEMENT FOR FEDERAL AND CALIFORNIA EMISSION CONTROL SYSTEMS NON-ROAD AND SMALL OFF-ROAD ENGINES

YOUR WARRANTY RIGHTS AND OBLIGATIONS

The U.S. Environmental Protection Agency (EPA), the California Air Resources Board (CARB), and Techtronic Industries North America, Inc., are pleased to explain the Emissions Control System Warranty on your 2010 model year non-road or small off-road engine. In California, new equipment that uses small off-road engines must be designed, built, and equipped to meet the state's stringent anti-smog standards. In other states, new 2000 and later model year non-road engines must be designed, built, and equipped at the time of sale to meet the U.S. EPA regulations for small non-road engines. The non-road engine must be free from defects in materials and workmanship which cause it to fail to conform with U.S. EPA standards for the first three years of engine use from the date of sale to the ultimate purchaser. Techtronic Industries North America, Inc., must warrant the emission control system on your non-road or small off-road engine for the period of time listed above provided there has been no abuse, neglect, or improper maintenance of your non-road or small off-road engine.

Your emission control system may include parts such as the carburetor or fuel injection system, the ignition system, catalytic converters, fuel tanks, valves, filters, clamps, connectors, and other associated components. Also included may be hoses, belts and connectors, and other emission-related assemblies.

Where a warrantable condition exists, Techtronic Industries North America, Inc., will repair your non-road or small off-road engine at no cost to you, including diagnosis, parts, and labor performed at an authorized service center for RYOBI® brand outdoor products.

MANUFACTURER'S WARRANTY COVERAGE:

This product's emissions control system is warranted for three years. If any emission-related part on your engine is defective, the part will be repaired or replaced by Techtronic Industries North America, Inc., free of charge.

OWNER'S WARRANTY RESPONSIBILITIES

(a) As the non-road or small off-road engine owner, you are responsible for the performance of the required maintenance listed in your operator's manual. Techtronic Industries North America, Inc., recommends that you retain all receipts covering maintenance on your non-road or small off-road engine, but Techtronic Industries North America, Inc., cannot deny warranty solely for the lack of receipts or for your failure to ensure the performance of all scheduled maintenance. Any replacement part or service that is equivalent in performance and durability may be used in non-warranty maintenance or repairs, and shall not reduce the warranty obligations of Techtronic Industries North America, Inc.

(b) As the non-road or small off-road engine owner, you should be aware, however, that Techtronic Industries North America, Inc., may deny you warranty coverage if your non-road or small off-road engine or a part has failed due to abuse, neglect, improper maintenance, or unapproved modifications.

(c) You are responsible for presenting your non-road or small off-road engine to an authorized service dealer as soon as a problem exists. The warranty repairs should be completed in a reasonable amount of time, not to exceed 30 days.

If you have any questions regarding your warranty rights and responsibilities, you should contact a Techtronic Industries North America, Inc., Customer Representative at 1-800-860-4050.

DEFECT WARRANTY COVERAGE REQUIREMENTS:

(a) The warranty period begins on the date the engine or equipment is delivered to an ultimate purchaser.

(b) General Emissions Warranty Coverage. Techtronic Industries North America, Inc., warrants to the ultimate purchaser and each subsequent purchaser that your non-road or small off-road engine is designed, built, and equipped at the time of sale to conform with all applicable regulations adopted by the California Air Resources Board or the United States Environmental Protection Agency; and that it is free from defects in materials and workmanship which cause the engine to fail to conform with applicable regulations for a period of three years from the date the non-road or small off-road engine is purchased by the initial purchaser.

(c) The warranty on emissions-related parts will be interpreted as follows: Any warranted part that is not scheduled for replacement as required in the Emissions Maintenance Schedule and Warranty Parts List set forth below is warranted for three years. If any such part (including any part that is scheduled only for regular inspection) fails during the period of warranty coverage, it will be repaired or replaced at any RYOBI® Authorized Service Center at no charge. Any such part repaired or replaced under warranty will be warranted for the remaining warranty period. A statement to the effect of "repair or replace as necessary" would not reduce the period of warranty coverage. Any warranted part that is scheduled for replacement as required maintenance in the Emissions Maintenance Schedule and Warranty Parts List is warranted for the period of time prior to the first scheduled replacement point for that part. Any such part repaired or replaced under warranty is warranted for the

remainder of the period prior to the first scheduled replacement point, and will be repaired or replaced at any RYOBI® Authorized Service Center for no charge until that replacement point is reached.

Techtronic Industries North America, Inc., shall remedy warranty defects at any authorized RYOBI® Authorized Service Center, including any distribution center that may be franchised to service the subject engines. Any diagnostic work done at a RYOBI® Authorized Service Center shall be free of charge to the owner if such work determines that a warranted part is defective. Any manufacturer-approved or equivalent replacement part may be used for any warranty maintenance or repairs on emission-related parts, and must be provided free of charge to the owner if the part is still under warranty. Techtronic Industries North America, Inc., is liable for damages to other engine components caused by the failure of a warranted part still under warranty.

Add-on or modified parts that are not exempted by the California Air Resource Board may not be used. The use of any non-exempted add-on or modified parts will be grounds for disallowing a warranty claim. Techtronic Industries North America, Inc., will not be liable to warrant failures of warranted parts caused by the use of a non-exempted add-on or modified part.

The California Air Resources Board's Emission Warranty Parts List specifically defines the emission-related warranted parts. (EPA's regulations do not include a parts list, but the EPA considers emission-related warranted parts to include all the parts listed below.) Techtronic Industries North America, Inc., will provide any documents that describe its warranty procedures or policies within five days upon request by the California Air Resources Board.

EMISSIONS PARTS LIST

Emissions parts vary from product to product. Your emissions control system warranty applies to any of the following components that may be included on your product:

- (1) Fuel Metering System
 - (i) Carburetor and internal parts (and/or pressure regulator or fuel injection system).
 - (ii) Air/fuel ratio feedback and control system.
 - (iii) Cold start enrichment system.
 - (iv) Fuel Tank.
- (2) Air Induction System
 - (i) Controlled hot air intake system.
 - (ii) Intake manifold.
 - (iii) Air filter.
- (3) Ignition System
 - (i) Spark Plugs.
 - (ii) Magneto or electronic ignition system.
 - (iii) Spark advance/retard system.
- (4) Exhaust Gas Recirculation (EGR) System
 - (i) EGR valve body and carburetor spacer, if applicable.
 - (ii) EGR rate feedback and control system.
- (5) Air Injection System
 - (i) Air pump or pulse valve.
 - (ii) Valves affecting distribution of flow.
 - (iii) Distribution manifold.
- (6) Catalyst or Thermal Reactor System
 - (i) Catalytic converter.
 - (ii) Thermal reactor.
 - (iii) Exhaust manifold.
- (7) Particulate Controls
 - (i) Traps, filters, precipitators, and any other device used to capture particulate emissions.
- (8) Miscellaneous Items Used in Above Systems
 - (i) Electronic controls.
 - (ii) Vacuum, temperature, and time sensitive valves and switches.
 - (iii) Hoses, belts, connectors, and assemblies.

Techtronic Industries North America, Inc., will furnish with each new engine written instructions for its maintenance and use by the owner.

The Emissions Compliance Period referred to on the Emissions Compliance label indicates the number of operating hours for which the engine has been shown to meet Federal emission requirements. Category C=50 hours, B=125 hours, and A=300 hours.

RÈGLES DE SÉCURITÉ GÉNÉRALES

AVERTISSEMENT :

Lire et veiller à bien comprendre toutes les instructions. Le non respect des instructions ci-dessous peut entraîner un choc électrique, un incendie et / ou des blessures graves.

LIRE TOUTES LES INSTRUCTIONS

- Pour travailler en toute sécurité, lire et veiller à bien comprendre toutes les instructions avant d'utiliser ce produit. Respecter toutes les instructions de sécurité. Le non respect des instructions de sécurité ci-dessous peut entraîner des blessures graves.
 - Ne pas laisser des enfants ou personnes n'ayant pas reçu une formation adéquate utiliser cet outil.
 - Ne jamais lancer ou faire tourner le moteur dans un endroit clos ou mal aéré. Les gaz d'échappement peuvent être mortels.
 - Déblayer la zone de travail avant chaque utilisation. La débarrasser de tous les objets tels que cailloux, verre brisé, clous, fils métalliques, cordes, etc. risquant d'être projetés ou de se prendre dans la ligne de coupe ou la lame.
 - Toujours porter une protection oculaire certifiée conforme à la norme ANSI Z87.1 ainsi qu'une protection auditive lors de l'utilisation de ce produit.
 - Porter des pantalons longs, manches longues, des chaussures de travail et des gants épais. Ne pas porter de vêtements amples, bijoux, shorts, sandales et ne pas travailler pieds nus. Ne porter aucun bijou.
 - Le fait de porter des vêtements de protection lourds peut augmenter la fatigue de l'utilisateur, ce qui pourrait entraîner un coup de chaleur. Si le temps est chaud et humide, effectuer les gros travaux le matin ou en fin d'après-midi, alors qu'il fait plus frais.
 - Les produits utilisés sur les territoires des services forestiers des États-Unis et de certains états doivent être conformes aux réglementations de lutte contre l'incendie. Cet outil est doté d'un pare-étincelles, toutefois, d'autres dispositifs peuvent être requis. Consulter les autorités locales et gouvernementales.
 - Ne jamais utiliser cet outil en le tenant du côté gauche.
 - Attacher les cheveux longs pour les maintenir au-dessus des épaules, afin qu'ils ne se prennent pas dans les pièces en mouvement.
 - Garder les badauds, enfants et visiteurs à une distance de 15 m (50 pi). Recommander aux personnes présentes de porter une protection oculaire. Si quelqu'un s'approche pendant l'utilisation de l'outil, arrêter le moteur et l'accessoire de coupe. Le risque de blessure est accru si on utilise un outil à lames. En effet, les personnes se trouvant à proximité risquent d'être heurtées par une lame en marche advenant qu'elle ricoche, ou à la suite de toute autre réaction inattendue de la scie.
 - Ne pas utiliser cet outil en état de fatigue, si l'on est souffrant ou sous l'influence de l'alcool, de drogues ou de médicaments.
 - Ne pas travailler sous un éclairage insuffisant.
 - Se tenir bien campé et en équilibre. Ne pas travailler hors de portée. Le travail hors de portée risque de faire perdre l'équilibre ou de causer un contact avec les pièces brûlantes.
 - Garder toutes les parties du corps à l'écart des pièces en mouvement.
- Pour éviter le contact avec les parties brûlantes, ne jamais travailler avec le bas du moteur au-dessus du niveau de la taille.
 - Ne pas toucher les alentours de l'échappement ou du cylindre, qui deviennent brûlants pendant l'utilisation. Contact avec les surfaces chaudes pourrait entraîner des blessures graves.
 - Toujours arrêter le moteur et débrancher le fil de la bougie avant d'effectuer tout entretien ou réglage, à l'exception des réglages du carburateur.
 - Inspecter l'outil avant chaque utilisation pour s'assurer qu'il n'y a pas de pièces desserrées, de fuites de carburant, etc. Remplacer les pièces endommagées avant utilisation.
 - Lors d'une utilisation normale, l'accessoire de coupe ne doit jamais tourner au ralenti. La rotation au ralenti est toutefois permise lors du réglage du carburateur.
 - Il a été rapporté que, chez certaines personnes, les vibrations produites par les outils à main motorisés peuvent contribuer au développement d'une affection appelée syndrome de Raynaud. Les symptômes peuvent inclure des picotements, l'insensibilisation et le blanchissement des doigts et sont habituellement provoqués par l'exposition au froid. L'hérédité, l'exposition au froid et à l'humidité, le régime alimentaire, la fumée et les habitudes de travail sont tous des facteurs considérés comme contribuant au développement de ces symptômes. Il n'existe actuellement aucune preuve qu'un certain type de vibration ou le degré d'exposition contribue réellement au développement de cette affection. Certaines mesures, susceptibles de réduire les effets des vibrations, peuvent être prises par l'opérateur :
 - a) Garder le corps au chaud par temps froid. Pendant l'utilisation, porter des gants afin de tenir les mains et les poignets au chaud. Il a été établi que le froid est l'une des principales causes du symptôme de Raynaud.
 - b) Après chaque période d'utilisation, faire des exercices pour accroître la circulation.
 - c) Faire des pauses fréquentes. Limiter la durée d'exposition quotidienne.
 - d) Garder l'outil bien entretenu, toutes les pièces de boulonnerie serrées et remplacer les pièces usées.En cas d'apparition de l'un ou plusieurs des symptômes décrits ci-dessus, cesser d'utiliser l'outil et consulter un médecin.
 - Mélanger et conserver le carburant dans un bidon ou jerrican approuvé pour l'essence.
 - Mélanger le carburant à l'extérieur, loin de toute flamme ou source d'étincelles. Essuyer tout carburant répandu. S'éloigner de 9 m (30 pi) du point d'approvisionnement avant de lancer le moteur. Desserrer le bouchon du réservoir de carburant lentement une fois que le moteur est arrêté. Ne pas fumer pendant le ravitaillement en carburant.
 - Arrêter le moteur et le laisser refroidir avant de faire le plein ou de le remiser.
 - Pour le transport dans un véhicule, laisser le moteur refroidir, vider le réservoir de carburant. et arrimer l'outil.
 - Porter un équipement de protection et respecter toutes les instructions de sécurité. Si l'outil est équipé d'un embrayage, s'assurer que l'accessoire de coupe s'immobilise lorsque le moteur tourne au ralenti. Lorsque le moteur est arrêté, s'assurer que l'accessoire de coupe est immobilisé avant de poser l'outil.




RÈGLES DE SÉCURITÉ PARTICULIÈRES

RÈGLES DE SÉCURITÉ PARTICULIÈRES À L'UTILISATION DU TAILLE-BORDURES








- Inspecter l'outil avant chaque utilisation. Remplacer les pièces endommagées. S'assurer que toutes les pièces de boulonnerie sont en place et bien serrées. S'assurer de l'absence de fuites de carburant.
- Si la tête de coupe est fendue, brisée ou endommagée de quelque façon que ce soit, la remplacer. S'assurer que la tête de coupe ou la lame est correctement installée et solidement assujettie. Ne pas prendre cette précaution peut entraîner des risques de blessures graves.
- S'assurer que tous les dispositifs de protection, sangles, déflecteurs et poignées sont correctement installés et solidement assujettis.
- Ne jamais utiliser des lames, un dispositif fouetteur, un fil ou une corde. Utiliser uniquement le fil de remplacement du fabricant dans la tête de coupe. N'utiliser aucun autre accessoire de coupe. Le fait d'installer une tête de coupe de toute autre marque sur cet accessoire pour taille-bordures peut entraîner de sérieuses blessures.
- Ne jamais utiliser l'appareil si le déflecteur d'herbe n'est pas en place et en bon état.
- Tenir fermement les deux poignées pendant le travail. Tenir la tête de coupe au-dessous du niveau de la taille. Ne jamais tailler avec la tête de coupe à plus de 762 mm (30 po) du sol.

SYMBOLES

Les termes de mise en garde suivants et leur signification ont pour but d'expliquer le degré de risques associé à l'utilisation de ce produit.

SYMBOLE	SIGNAL	SIGNIFICATION
	DANGER :	Indique une situation extrêmement dangereuse qui, si elle n'est pas évitée, aura pour conséquences des blessures graves ou mortelles.
	AVERTISSEMENT :	Indique une situation potentiellement dangereuse qui, si elle n'est pas évitée, pourrait entraîner des blessures graves ou mortelles.
	ATTENTION :	Indique une situation potentiellement dangereuse qui, si elle n'est pas évitée, pourrait entraîner des blessures légères ou de gravité modérée.
	ATTENTION :	(Sans symbole d'alerte de sécurité) Indique une situation pouvant entraîner des dommages matériels.

Certains des symboles ci-dessous peuvent être utilisés sur le produit. Veiller à les étudier et apprendre leur signification pour assurer la sécurité d'utilisation.

SYMBOLE	NOM	EXPLICATION
	Symbole d'alerte de sécurité	Indique un risque de blessure potentiel.
	Lire le manuel d'utilisation	Pour réduire les risques de blessures, l'utilisateur doit lire et veiller à bien comprendre le manuel d'utilisation avant d'utiliser ce produit.
	Protection oculaire et auditive	Toujours porter une protection oculaire certifiée conforme à la norme ANSI Z87.1 ainsi qu'une protection auditive.
	Ne laisser personne s'approcher	Garder les badauds à une distance de 15 m (50 pi) minimum.
	Ricochet	Les objets projetés peuvent ricocher et infliger des blessures ou causer des dommages matériels.
	Ne pas utiliser de lame	Ne jamais utiliser une lame quelconque sur un outil portant ce symbole.
	Essence et lubrifiant	Utiliser de l'essence sans plomb pour automobiles, avec un indice d'octane de 87 [(R + M) / 2] ou plus. Ce produit utilise un moteur deux temps qui nécessite le mélange d'essence et de lubrifiant 2 temps.

CARACTÉRISTIQUES

FICHE TECHNIQUE

Poids - (sans carburant)

CS26	4,7 kg (10,3 lb)
SS26.....	5,4 kg (11,8 lb)

Largeur de coupe avec ligne

CS26	432 mm (17 po)
SS26.....	457 mm (18 po)

Cylindrée 26 cc

Diamètre de coupe :

Avance de la ligne de coupe à tapant Reel-Easy™.....	2,4 mm (0,095 po)
Bobine à fil fixe Dual Spool™	2,4 mm à 2,7 mm max. (0,095 po à 0,105 po)

APPRENDRE À PRODUIRE

Voir la figures 1 et 2.

L'utilisation sûre de ce produit exige une compréhension des renseignements figurant sur l'outil et contenus dans le manuel d'utilisation, ainsi qu'une bonne connaissance du projet entrepris. Avant d'utiliser ce produit, se familiariser avec toutes ses caractéristiques et règles de sécurité.

DÉFLECTEUR D'HERBE

Le produit est équipé d'un déflecteur d'herbe qui protège l'opérateur des débris projetés.

AVANCE DE LA LIGNE DE COUPE À TAPANT REEL-EASY™

Le système Reel-Easy™ permet d'avancer la ligne facilement et tapant la tête de coupe contre le sol.

MOTEUR MONTÉ EN HAUT

Le moteur est monté en haut de l'outil afin d'assurer un bon équilibre de l'outil et de le maintenir loin de la poussière et des débris de coupe.

ASSEMBLAGE

DÉBALLAGE

Ce produit doit être assemblé.

- Avec précaution, sortir le produit et les accessoires de la boîte. S'assurer que toutes les pièces figurant sur la liste de contrôle sont incluses.



AVERTISSEMENT :

Ne pas utiliser le produit si, en le déballant, vous constatez que des éléments figurant dans la liste d'expédition sont déjà assemblés. Certaines pièces figurant sur cette liste n'ont pas été assemblées par le fabricant et exigent une installation. Le fait d'utiliser un produit qui a été assemblé de façon inadéquate peut entraîner des blessures.

- Examiner soigneusement le produit pour s'assurer que rien n'a été brisé ou endommagé en cours de transport.
- Ne pas jeter les matériaux d'emballage avant d'avoir soigneusement examiné le produit et avoir vérifié qu'il fonctionne correctement.
- Si des pièces sont manquantes ou endommagées, appeler le 1-800-860-4050.

LISTE DES PIÈCES

CS26

Taille-bordures
Poignée avant
Déflecteur d'herbe d'arbre courbe
Bobine à fil fixe Dual Spool™
Flacon de lubrifiant 2 temps
Manuel d'utilisation

SS26

Taille-bordures
Poignée avant
Bobine à fil fixe Dual Spool™
Déflecteur d'herbe d'arbre droit
Flacon de lubrifiant 2 temps
Manuel d'utilisation

ASSEMBLAGE

AVERTISSEMENT :

Si des pièces manquent ou sont endommagées, ne pas utiliser ce produit avant qu'elles aient été remplacées. Le fait d'utiliser ce produit même s'il contient des pièces endommagées ou s'il lui manque des pièces peut entraîner des blessures graves.

AVERTISSEMENT :

Ne pas essayer de modifier ce produit ou de créer des accessoires non recommandés pour la produit. De telles altérations ou modifications sont considérées comme un usage abusif et peuvent créer des conditions dangereuses, risquant d'entraîner des blessures graves.

AVERTISSEMENT :

Si des pièces manquent, ne pas utiliser ce produit avant qu'elles aient été installées. Ne pas prendre cette précaution pourrait entraîner des blessures graves.

INSTALLATION DU BLOC-MOTEUR SUR L'ACCESSOIRE

Voir la figure 3.

AVERTISSEMENT :

Ne jamais installer, retrait ou ajuster un accessoire lorsque le moteur tourne. Ceci pourrait causer des blessures graves.

L'accessoire se raccorde au bloc-moteur à l'aide d'un dispositif de couplage.

- Desserrer le bouton du coupleur et retirer le capuchon de suspension de l'accessoire.
- Appuyer sur le bouton se trouvant sur l'arbre de l'accessoire. Aligner le bouton sur la rainure guide du bloc moteur et emboîter les deux arbres. Tourner l'arbre de l'accessoire jusqu'à ce que le bouton s'enclenche dans le trou de positionnement.

NOTE : Si le bouton ne s'engage pas complètement dans le trou de positionnement, les tubes ne sont pas solidement maintenus l'un dans l'autre. Tourner légèrement les tube dans les deux sens jusqu'à ce que le bouton s'engage complètement.

- Serrer le bouton fermement.

AVERTISSEMENT :

S'assurer que le bouton est bien serré avant d'utiliser l'outil et le vérifier de temps à autre pour éviter le risque de blessures graves.

RETRAIT DE L'ACCESSOIRE DU BLOC MOTEUR

Retrait ou remplacement de l'accessoire :

- Desserrer le bouton.
- Enfoncer le bouton et tourner les tubes pour les séparer.

INSTALLATION DE L'ANNEAU DE SUSPENSION

Voir la figure 4.

Il existe deux façons de suspendre l'accessoire pour le remisage:

- Pour installer l'anneau de suspension, appuyer sur le bouton et emboîter le capuchon sur l'extrémité inférieure de l'arbre d'accessoire. Tourner légèrement le capuchon dans un sens et l'autre pour enclencher le bouton.
- Le trou secondaire de l'arbre d'accessoire peut également être utilisé pour suspendre l'accessoire.

INSTALLATION DE LA POIGNÉE AVANT

Voir la figure 5.

- Retirer les écrou à oreilles, rondelle et le boulon de la poignée avant.
- Installer la poignée avant sur le côté supérieur du tube de l'arbre moteur, à l'endroit indiqué par l'étiquette.

NOTE : Le côté ouvert de la poignée doit faire face à l'utilisateur.

- Insérer le boulon dans les trous de la poignée avant.

NOTE : La tête du boulon s'adapte dans le logement moulé d'un côté de la poignée.

- Réinstaller le rondelle et écrou à oreilles.
- Serrer fermement l'écrou papillon.

INSTALLATION DU DÉFLECTEUR D'HERBE

AVERTISSEMENT :

La lame coupe ligne du déflecteur est tranchante. Éviter de la toucher. Le contact avec la lame peut causer des blessures graves.

INSTALLATION DU DÉFLECTEUR D'HERBE D'ARBRE COURBE – CS26

Voir la figure 6.

- Retirer vis à six pans, la rondelle et l'écrou papillon du déflecteur d'herbe.
- Emboîter le déflecteur d'herbe sur le bas de l'arbre courbe, comme illustré.
- Insérer le vis à six pans dans le déflecteur d'herbe et le support de l'arbre courbe.
- Installer la rondelle sur le vis à six pans.
- Installer l'écrou papillon sur le vis et le serrer fermement.

ASSEMBLAGE

INSTALLATION DU DÉFLECTEUR D'HERBE D'ARBRE DROIT – SS26

Voir la figure 7.

- Retirer la vis à oreilles du déflecteur d'herbe.
- Insérer la languette du support de montage dans la fente du déflecteur d'herbe.

- Aligner le trou de vis du support de montage sur le trou de vis du déflecteur d'herbe.
- Insérer la vis à oreilles dans le support et le déflecteur d'herbe.
- Serrer la vis fermement.

UTILISATION

AVERTISSEMENT :

Ne pas laisser la familiarité avec le produit faire oublier la prudence. Ne pas oublier qu'une fraction de seconde d'inattention peut entraîner des blessures graves.

AVERTISSEMENT :

Toujours porter une protection oculaire certifiée conforme à la norme ANSI Z87.1 ainsi qu'une protection auditive. Si cette précaution n'est pas prise, des objets peuvent être projetés dans les yeux et causer des lésions graves.

AVERTISSEMENT :

Ne jamais utiliser des lames, un dispositif fouetteur, un fil ou une corde. Ne pas utiliser d'outils ou accessoires non recommandés pour cet outil. L'utilisation de pièces et accessoires non recommandés peut entraîner des blessures graves.

APPROVISIONNEMENT EN CARBURANT MÉLANGE DE CARBURANT

Cet outil utilise un moteur deux temps qui nécessite le mélange d'essence et de lubrifiant 2 temps. Mélanger de l'essence sans plomb et de le lubrifiant moteur 2 temps dans un jerrycan de 4 litres (1 gallon) propre homologué pour l'essence.

Carburant recommandé : Cet outil est certifié pour fonctionner avec de l'essence sans plomb pour véhicules automobiles.

Utiliser une huile 2 temps de haute qualité air, à un dosage de 2,6 oz par gallon (18 cl/litre).

Ne pas utiliser de lubrifiant automobile ou pour moteur hors-bord 2 temps.

NE PAS mélanger plus de carburant qu'il ne sera utilisé dans une période de 30 jours.

LUBRIFIANT 2 TEMPS DE HAUTE QUALITÉ



ESSENCE	LUBRIFIANT
1 gallon (US)	2,6 oz.
1 litre	20 cc (20 ml)

REPLISSAGE DU RÉSERVOIR

- Nettoyer le pourtour du bouchon de remplissage pour éviter la contamination du carburant.
- Desserrer le bouchon du réservoir de carburant lentement. Poser le bouchon sur une surface propre.
- Verser le mélange dans le réservoir avec précaution. Éviter de répandre du carburant.
- Avant de remettre le bouchon en place, nettoyer et inspecter son joint.
- Remettre immédiatement le bouchon en place et le serrer à la main. Essuyer tout carburant répandu.

NOTE : Il est normal qu'un moteur neuf dégage de la fumée après la première utilisation.

AVERTISSEMENT :

Toujours arrêter le moteur avant l'approvisionnement en carburant. Ne jamais remplir le réservoir d'une machine lorsque le moteur tourne ou est chaud. S'éloigner d'au moins 9 m (30 pi) du point d'approvisionnement avant de lancer le moteur. Ne pas fumer ! Ne pas prendre cette précaution pourrait entraîner des blessures graves.

CARBURANTS OXYGÉNÉS

NE PAS UTILISER LE CARBURANT E85. LE NON-RESPECT DE CETTE DIRECTIVE ENTRAÎNE L'ANNULATION DE LA GARANTIE.

NOTE : Les dommages au circuit de carburant et les problèmes de performance résultant de l'utilisation de carburant oxygéné contenant des pourcentages de composants oxygénés supérieurs à ceux indiqués au dessous **ne sont pas couverts par la garantie.**

Ethanol. L'essence contenant jusqu'à 10 % d'éthanol par volume (généralement désignée E10) ou 15 % d'éthanol par volume (généralement désignée E15) est acceptable. **L'essence désignée E85 ne l'est pas.**

DÉMARRAGE ET ARRÊT

Voir les figures 8 à 10.

Pour le démarrage, le taille-bordures doit être posé sur un sol nu et plat.

Démarrage du moteur froid :

- Appuyer lentement 10 fois sur la poire d'amorçage.

NOTE : Après la 7^e pression, on devrait apercevoir du carburant dans la poire d'amorçage. Sinon, continuer à presser sur l'amorceur jusqu'à voir du carburant dans la poire.


UTILISATION

- Mettre le volet de départ en position d'étranglement **FULL CHOKE** (complètement ouvert).
- Appuyer sur le bouton de verrouillage de la gâchette et tirer sur le cordon du lanceur jusqu'à ce que le moteur essaie de démarrer. Ne pas tirer le cordon plus de quatre (4) fois.
NOTE : Tenir la gâchette enfoncée à fond.
- Mettre le volet de départ en position **HALF CHOKE** (demi étranglement).
- Tirer sur le cordon du lanceur jusqu'à ce que le moteur démarre. Ne pas tirer le cordon plus de six (6) fois.
NOTE : Si le moteur ne démarre pas, mettre le volet de départ sur << FULL CHOKE >> (complètement ouvert) et répéter les étapes.
- Laisser le moteur tourner pendant 10 secondes et mettre le levier du volet de départ en position **RUN** (marche).

Démarrage du moteur chaud :

- Appuyer lentement 10 fois sur la poire d'amorçage.
- Mettre le levier du volet de départ en position **RUN** (marche).
- Appuyer sur le bouton de verrouillage de la gâchette et tirer sur le cordon du lanceur jusqu'à ce que le moteur démarre.

Arrêt du moteur :

- Pour arrêter le moteur, mettre le commutateur **STOP** dans la position d'arrêt «  ».

EN CAS DE BESOIN D'ASSISTANCE DÉMARRAGE AVEC CE PRODUIT :

Ne pas le retourner au magasin de détail où il a été acheté. Pour toute question, appeler notre service après-vente.

Pour toute assistance, appeler le : 1-800-860-4050

UTILISATION DU TAILLE-BORDURES

Voir la figure 11.

AVERTISSEMENT :

Toujours tenir l'outil à sa droite. L'utilisation à gauche exposerait l'utilisateur aux surfaces chaudes, créant ainsi des risques de brûlures.

AVERTISSEMENT :

Pour éviter le contact avec les parties brûlantes, ne jamais travailler avec le bas du moteur au-dessus du niveau de la taille.

Tenir le taille-bordures avec la main droite sur la poignée arrière et la main gauche sur la poignée avant. Garder une prise ferme sur les deux poignées pendant le fonctionnement. Le taille-bordures doit être tenu dans une position confortable, la poignée arrière se trouvant à peu près à hauteur de la taille.

Toujours utiliser le taille-bordures en position **RUN** (marche). Couper les herbes hautes du haut en bas. Ceci empêchera l'herbe de s'enrouler sur le tube de l'arbre moteur et la tête de coupe, ce qui pourrait causer des dommages dus à une surchauffe. Si l'herbe s'enroule sur la tête de coupe, **ARRÊTER LE MOTEUR**, débrancher le fil de bougie et enlever l'herbe. Le travail prolongé à mi-régime causerait l'écoulement de lubrifiant par l'échappement.

AVERTISSEMENT :

Toujours tenir le taille-bordures à l'écart de soi en maintenant une distance de sécurité entre le corps et l'équipement. Tout contact avec le boîtier ou avec la tête de coupe du taille-bordures peut causer des brûlures et / ou d'autres blessures graves.

CONSEILS DE COUPE

Voir les figures 11 et 13.

- Éviter les surfaces très chaudes en maintenant toujours l'outil à l'écart du corps. (Position de travail correcte illustrée à la figure 11.)
- Pour une efficacité maximum, garder le taille-bordures incliné vers la zone de coupe.
- Pour couper avec le taille-bordures à arbre courbe, utiliser un mouvement de balayage de droite à gauche. Pour couper avec le taille-bordures à arbre droit, utiliser un mouvement de balayage de gauche à droite. Ceci évite que les débris soient projetés en direction de l'opérateur. Éviter de couper dans la zone dangereuse comme le montre l'illustration.
- Couper avec l'extrémité de la ligne; ne pas forcer la tête de coupe dans l'herbe non coupée.
- Les palissades en métal et en bois accélèrent l'usure de la ligne et peuvent la faire casser. Les murs en pierre et brique, trottoirs et pièces de bois peuvent user la ligne rapidement.
- Contourner les arbres et buissons. L'écorce des arbres, les moulures en bois, le lambrissage et les piquets de palissades peuvent être endommagés par la ligne.

AVANCE DE LA LIGNE DE COUPE AVEC LE SYSTÈME À CHOC REEL-EASY™

L'avance de la ligne est obtenue en tapant la tête de coupe sur le gazon, le moteur tournant à plein régime.

- Faire tourner le moteur à plein régime.
- Taper la tête de coupe sur le sol pour faire avancer la ligne. La ligne avance chaque fois que la tête de coupe est frappée sur le sol.
- Plusieurs frappes peuvent être nécessaires pour que la ligne parvienne à la lame coupe ligne
- Continuer le travail.

NOTE : Si la ligne devient trop courte, il peut ne pas être possible de la faire avancer en tapant la tête de coupe sur le sol. Dans ce cas, **ARRÊTER LE MOTEUR**, débrancher le fil de la bougie et tirer la ligne à la main.

AVANCE MANUELLE DE LA LIGNE DE COUPE

Lorsque le moteur est éteint et le fil de bougie a débranché, appuyer sur la retenue de bobine et tirer sur la ligne pour sortir la longueur désirée.

LAME DE SECTIONNEMENT DE LIGNE DE COUPS DU DÉFLECTEUR D'HERBE

Voir la figure 14.

Ce taille-bordures est équipé d'une lame de sectionnement de ligne montée sur le déflecteur d'herbe. Pour obtenir une coupe optimale, faire avancer la ligne jusqu'à ce qu'elle soit coupée à la longueur correcte par la lame de sectionnement. La ligne doit être avancée chaque fois que le moteur tourne à une vitesse supérieure à la normale ou lorsque la coupe devient moins efficace. Ceci maintiendra une efficacité maximum et gardera la ligne assez longue pour avancer correctement.

ENTRETIEN

AVERTISSEMENT :

Utiliser exclusivement des pièces d'origine pour les réparations. L'usage de toute autre pièce pourrait créer une situation dangereuse ou endommager l'outil.

AVERTISSEMENT :

Toujours porter une protection oculaire certifiée conforme à la norme ANSI Z87.1 ainsi qu'une protection auditive. Si cette précaution n'est pas prise, des objets peuvent être projetés dans les yeux et d'autres lésions graves.

AVERTISSEMENT :

Avant d'inspecter, nettoyer ou entretenir l'équipement, couper le moteur, attendre que toutes les pièces en mouvement s'arrêtent, déconnecter le fil de la bougie et l'écartier de la bougie. Le non-respect de ces instructions peut entraîner des blessures graves ou des dégâts matériels.

ENTRETIEN GÉNÉRAL

Éviter d'utiliser des solvants pour le nettoyage des pièces en plastique. La plupart des matières plastiques peuvent être endommagées par divers types de solvants du commerce. Utiliser un chiffon propre pour éliminer la saleté, la poussière, le lubrifiant, la graisse, etc.

AVERTISSEMENT :

Ne jamais laisser de liquides tels que le fluide de freins, l'essence, les produits à base de pétrole, les lubrifiants pénétrants, etc., entrer en contact avec les pièces en plastique. Les produits chimiques peuvent endommager, affaiblir ou détruire le plastique, ce qui peut entraîner des blessures graves.

Les réglages et réparations décrits ci-dessous peuvent bien souvent être effectués par l'utilisateur. Les autres réparations doivent être confiées à un centre de réparations agréé.

REPLACEMENT DE LA BOBINE

AVANCE DE LA LIGNE DE COUPE À TAPANT REEL-EASY™

Voir les figures 15 à 17.

Si seule la ligne est remplacée, voir **Remplacement de la ligne**, plus loin dans ce manuel.

Utiliser exclusivement une ligne monofilament de 2,4 mm (0,095 po) de diamètre.

- Arrêter le moteur et débrancher le fil de la bougie. Maintenir la tête de coupe et retirer la retenue de bobine.

Pour retirer la retenue de bobine :

Sur les modèles CS26, tourner la retenue de bobine vers la gauche.

Sur les modèles SS26, tourner la retenue de bobine vers la droite.

- Retirer la bobine vide de la tête de coupe.
NOTE : Il n'est pas nécessaire de retirer le logement de la tête de coupe de l'arbre d'entraînement.

- Insérer la nouvelle bobine dans la tête de coupe.

NOTE : S'assurer que les flèches de la bobine sont alignées avec les œillets du logement de la tête de coupe. Abaisser et maintenir ensemble à cette position la bobine et le logement tout en complétant l'installation.

- Réinstaller la retenue de bobine afin de la fixer solidement.

Pour installer la retenue de bobine :

Sur les modèles CS26, tourner la retenue de bobine vers la droite.

Sur les modèles SS26, tourner la retenue de bobine vers la gauche.

- Installer le fil tel que décrit à la section intitulée **Remplacement du fil**.

REPLACEMENT DE LIGNE

Voir les figures 17 à 19.

- Arrêter le moteur et débrancher le fil de la bougie.
- Au besoin, tourner la bobine dans le sens horaire afin d'aligner les flèches de la bobine avec les œillets du logement de la tête de coupe.
- Couper un morceau d'une longueur de 3,1 m (10 pi) de chaîne monofilament. Insérer le fil dans l'œillet du logement du tableau-bordures. Pousser jusqu'à ce que l'extrémité du fil sorte de l'autre côté de la tête de coupe. Tirer sur le fil de l'autre côté de façon à laisser deux segments de fil égaux de chaque côté de la bobine.
- Tourner la bobine dans le sens horaire pour enrouler le fil autour de celle-ci jusqu'à ce qu'environ 152,4 mm (6 po) de fil apparaisse de chaque côté de la bobine.
- Appuyer sur la retenue de bobine tout en tirant sur la ou les ligne(s) pour les avancer manuellement et vérifier le montage de la tête de coupe.

INSTALLATION DE LA BOBINE À FIL FIXE DUAL SPOOL™

Voir les figures 20 à 21.

- Arrêter le moteur et débrancher le fil de la bougie.
- Retirer la retenue de bobine.
- Retirer la bobine et le ressort de la tête de coupe.
- Repérer l'indication «LOAD» (CHARGE) sur le dessus de la bobine à fil fixe DUAL SPOOL™, puis repérer les ouvertures situées de chaque côté de la bobine, en dessous de l'indication «LOAD». Placer la bobine à l'intérieur de la tête de coupe de manière à ce que les ouvertures situées de chaque côté de la bobine soient alignées avec les fentes se trouvant sur les côtés de la tête de coupe. S'assurer que la bobine est appuyée complètement.
- Réinstaller la retenue de bobine sur la tête de coupe et la tourner dans le sens antihoraire afin de la serrer.
- Installer le fil tel que décrit à la prochaine section de ce manuel.

ENTRETIEN

INSTALLATION DU FIL DANS LA TÊTE DE COUPE À FIL FIXE DUAL SPOOL™

Voir la figure 21.

Utiliser exclusivement une ligne monofilament de 2,4 mm à 2,7 mm. (0,095 pulg. à 0,105 pulg.) de diamètre.

- Arrêter le moteur et débrancher le fil de la bougie.
- Prendre deux bouts de fil pour coupe-bordure coupés préalablement (fournis) ou couper deux bouts de fil d'une longueur de 279,4 mm (11 po).
- Insérer les fils dans les fentes situées de chaque côté de la tête de coupe. Il est nécessaire de pousser les fils jusqu'à ce qu'ils dépassent d'environ 25,4 mm (1 po) des trous situés sur le dessus de la tête de coupe.
- Retirer le fil usé en le tirant hors des trous situés sur le dessus de la tête de coupe.

NETTOYAGE DE L'ORIFICE D'ÉCHAPPEMENT ET DU SILENCIEUX

NOTE : Suivant le type de carburant utilisé, le type et la quantité de lubrifiant et / ou les conditions de travail, l'orifice d'échappement et le silencieux peuvent se calaminer. Si un outil motorisé semble avoir perdu de la puissance, cette calamine doit être éliminée pour restaurer le fonctionnement normal. Il est vivement recommandé de confier ce travail à un technicien qualifié.

PARE-ÉTINCELLES

Le pare-étincelles doit être nettoyé ou remplacé toutes les 50 heures de fonctionnement ou tous les ans pour assurer le fonctionnement correct de l'outil. L'emplacement du pare-étincelles diffère suivant le modèle. Contacter le concessionnaire le plus proche pour connaître l'emplacement du pare-étincelles sur le modèle utilisé.

RÉGLAGE DU RALENTI

Voir la figure 22.

Si l'accessoire de coupe tourne lorsque le moteur est au ralenti, tourner la vis de ralenti du moteur. Tourner la vis de ralenti vers la gauche pour réduire le régime et arrêter la rotation de l'accessoire de coupe. Si l'accessoire de coupe continue de tourner au ralenti après avoir effectué le réglage, confier au produit à un centre de réparations et ne plus l'utiliser tant que les réparations n'ont pas été effectuées.

AVERTISSEMENT :

L'accessoire de coupe ne doit jamais tourner lorsque le moteur est au ralenti. Tourner la vis de ralenti dans le sens inverse des aiguilles d'une montre pour réduire le régime de ralenti et immobiliser l'accessoire de coupe ou confier au produit à un centre de réparations, et ne pas l'utiliser tant que des réparations n'ont pas été effectuées. La rotation de l'accessoire de coupe au ralenti peut causer des blessures graves.

NETTOYAGE DU FILTRE À AIR ÉCRAN

Voir les figures 23 et 24.

Pour assurer un fonctionnement correct et une longue vie utile, garder le filtre à air propre.

- Retirer le couvercle du filtre à air écran en appuyant sur le loquet avec le pouce et en tirant délicatement sur le couvercle.
- Brosser doucement le écran du le filtre à air pour nettoyer.
- Remettre le couvercle du filtre à air en place en insérant ses languettes dans les fentes de la base du filtre et appuyer sur le couvercle de manière à l'encliqueter correctement.

BOUCHON DU RÉSERVOIR

AVERTISSEMENT :

S'assurer de l'absence de fuites de carburant. Un bouchon de carburant qui fuit pose un risque d'incendie et doit être remplacé immédiatement. Toutes les fuites doivent être éliminées avant d'utiliser le produit. Ne pas prendre cette précaution peut causer un incendie, entraînant des blessures graves.

Le bouchon du réservoir de carburant contient un filtre et un clapet antiretour non réparables. Un filtre à carburant colmaté nuit au bon fonctionnement du moteur. Si le fonctionnement du moteur s'améliore lorsque le bouchon est desserré, le clapet antiretour peut être défectueux ou le filtre colmaté. Si nécessaire, remplacer le bouchon de carburant.

REMPACEMENT DE LA BOUGIE

Ce moteur utilise une bougie Champion RCJ-6Y, NGK BPMR7A ou Ryobi AC00160 avec un écartement d'électrode de 0,63 mm (0,025 po). La bougie doit être remplacée annuellement par une bougie identique.

REMISAGE LE PRODUIT

- Nettoyer soigneusement le produit. La remiser dans un endroit bien aéré, inaccessible aux enfants. La tenir à l'écart de produits corrosifs, tels que les produits chimiques de jardinage et le sel de dégivrage.
- Se conformer à toutes les réglementations locales et gouvernementales concernant la sécurité de la manipulation et de l'entreposage de l'essence.

Remisage 1 mois ou plus :

- Vider complètement le réservoir de carburant dans un bidon ou jerrycan approuvé pour l'essence. Laisser le moteur tourner jusqu'à ce qu'il cale.

DÉPANNAGE

SI LES PRÉSENTES SOLUTIONS NE RÉSOUVENT PAS LE PROBLÈME, CONTACTER LE CENTRE DE RÉPARATIONS AGRÉÉ.

PROBLÈME	CAUSE POSSIBLE	SOLUTION
Le moteur ne démarre pas	<ol style="list-style-type: none"> 1. Pas d'étincelle. 2. Pas de carburant. 3. Moteur noyé. 	<ol style="list-style-type: none"> 1. Nettoyer ou remplacer la bougie. Régler l'écartement de l'électrode. Voir Remplacement de la bougie plus haut dans ce manuel. 2. Actionner la poire d'amorçage jusqu'à ce qu'elle soit remplie de carburant. Si elle ne se remplit pas, le système d'alimentation en carburant est obstrué. Contacter un centre approuvés de réparations. Si la poire se remplit, il se peut que le moteur soit noyé, passer au paragraphe suivant. 3. Mettre le volet de départ en position de Run (marche). Maintenir la gâchette enfoncée et tirer sur le cordon du lanceur jusqu'à ce que le moteur démarre. NOTE : Selon l'importance du noyage, plusieurs tractions du cordon peuvent s'avérer nécessaires.
Le moteur ne parvient pas au régime maximum et dégage trop de fumée	<ol style="list-style-type: none"> 1. Vérifier le mélange lubrifiant / carburant. 2. Filtre à air écran encrassé. 3. Écran pare-étincelles encrassé. 4. Bougie encrassée. 	<ol style="list-style-type: none"> 1. Utiliser un mélange de carburant et de lubrifiant 2 temps correct et frais. (50:1). 2. Nettoyer le filtre à air écran. Voir la section Nettoyage du filtre à air écran, plus haut dans ce manuel. 3. Contacter un centre approuvés de réparations. 4. Nettoyer ou remplacer la bougie. Régler l'écartement de l'électrode. Voir Remplacement de la bougie plus haut dans ce manuel.
Le moteur démarre, tourne et accélère correctement, mais ne tient pas le ralenti	<ol style="list-style-type: none"> 1. La vis de ralenti du carburateur doit être réglée. 	<ol style="list-style-type: none"> 1. Tourner la vis de ralenti vers la droite, pour augmenter le régime de ralenti. <i>Voir la figure 22.</i>
La ligne n'avance pas	<ol style="list-style-type: none"> 1. Ligne soudée sur elle-même. 2. Pas assez de ligne sur la bobine. 3. Ligne trop courte. 4. Ligne emmêlée sur la bobine. 5. Régime moteur insuffisant. 	<ol style="list-style-type: none"> 1. Lubrifier avec un produit au silicone. 2. Installer une nouvelle ligne. Consulter la section du présent manuel qui traite du remplacement du fil. 3. Tirer les lignes en appuyant sur la bobine et en la relâchant alternativement. 4. Retirer la ligne de la bobine et la réenrouler. Consulter la section du présent manuel qui traite du remplacement du fil. 5. Faire avancer la ligne, le moteur tournant à plein régime.
La retenue de bobine est difficile à tourner	<ol style="list-style-type: none"> 1. Filetage des vis encrassé ou endommagé. 	<ol style="list-style-type: none"> 1. Nettoyer les filetages et les graisser – Si cela ne donne aucune amélioration, remplacer la retenue de bobine.
L'herbe s'enroule sur le tube de l'arbre moteur et la tête de coupe	<ol style="list-style-type: none"> 1. Coupe de hautes herbes au ras du sol. 2. Utilisation du taille-bordures à régime partiel. 	<ol style="list-style-type: none"> 1. Couper les herbes hautes du haut en bas pour éviter leur enroulement. 2. Utiliser le taille-bordures à plein régime.

GARANTIE

CE PRODUIT A ÉTÉ ÉQUIPÉ EN USINE D'UN CONVERTISSEUR CATALYTIQUE

Félicitations ! Vous venez d'investir dans la protection de l'environnement. Pour maintenir le niveau d'émissions original de ce produit, voir la section Entretien ci-dessous.

PROGRAMME D'ENTRETIEN DU SYSTÈME D'ÉMISSIONS ET LISTE DES PIÈCES GARANTIES

Pièces du système	Inspecter avant chaque utilisation	Nettoyer toutes le 5 heures de fonctionnement	Remplacer toutes les 25 heures ou chaque année	Remplacer toutes les 25 heures ou chaque année	Reemplácelo cada 125 heures
-------------------	---------------------------------------	---	--	--	--------------------------------

CONJUNTO DE SILENCIADOR CATALÍTICOX

FILTRE À AIR

INCLUT :

FILTRE ÉCRANX

ÉCRAN PARE-ÉTINCELLESX

CARBURATEUR

INCLUT :

ÉCRAN THERMIQUEX

JOINTSX

RÉSERVOIR DE CARBURANT

INCLUT :

CONDUITES DE CARBURANTX

BOUCHON DU RÉSERVOIR

DE CARBURANTX

FILTRE À CARBURANT

ALLUMAGE

INCLUT :

BOUGIEX

TOUTES LES PIÈCES RELATIVES AU SYSTÈME DE CONTRÔLE DES ÉMISSIONS SONT GARANTIES TROIS ANS OU POUR LA PÉRIODE ANTÉRIEURE AU PREMIER REMPLACEMENT PRÉVU, SELON LA PREMIÈRE ÉCHÉANCE.



NOUS APPELER D'ABORD

Pour toute question concernant l'utilisation ou l'entretien utiliser ce produit, appeler le service d'assistance téléphonique Ryobi®!

Le taille-bordures à été entièrement testé avant expédition pour assurer la complète satisfaction de l'utilisateur.

GARANTIE

ÉNONCÉ DE LA GARANTIE LIMITÉE

Techtronic Industries North America, Inc., garantit à l'acheteur original que ce produit RYOBI® est exempt de tous vices de matériaux ou de fabrication et s'engage à réparer ou remplacer gratuitement, à son choix, tout produit s'avérant défectueux au cours des périodes indiquées ci-dessous, à compter de la date d'achat.

- Trois ans sur les produits utilisés par des particuliers ;
- 90 jours sur les produits utilisés à toutes autres fins, telles que les travaux commerciaux et la location.

Cette garantie n'est offerte qu'à l'acheteur original et entre en vigueur à la date de l'achat original.

Toute pièce de ce produit jugée, après évaluation raisonnable par Techtronic Industries North America, Inc., comme présentant des vices de matériaux ou de fabrication, sera réparée ou remplacée, sans facturation pour pièces ou main d'oeuvre par un centre de réparations agréé pour produits d'extérieur de marque RYOBI® (centre de réparations Ryobi agréé).

Le produit, y compris toutes les pièces défectueuses devront être retournés à un centre de réparations Ryobi agréé, avant expiration de la période de garantie. Les frais d'expédition au centre de réparations pour les travaux sous garantie et de retour au propriétaire du produit seront assumés par le propriétaire. En ce qui concerne les réclamations en garantie, la responsabilité Techtronic Industries North America, Inc., se limitera à la réparation ou au remplacement des produits défectueux et aucune revendication de rupture de garantie ne pourra causer l'annulation ou la résiliation du contrat de vente d'un produit d'extérieur RYOBI® quel qu'il soit. Une preuve d'achat sera exigée par le centre de réparation, afin de valider toute réclamation au titre de la garantie. Toutes les réparations sous garantie devront être effectuées par un centre de réparations agréé.

La garantie sur tout produit d'extérieur RYOBI® utilisé pour la location, des travaux commerciaux ou tout autre usage lucratif, sera limitée à quatre-vingt-dix (90) jours, à compter de la date d'achat au détail original.

Cette garantie ne couvre pas les produits ayant fait l'objet d'un usage abusif ou négligent, d'un manque d'entretien, ayant été impliqués dans un accident ou employé de façon contraire aux instructions du manuel d'utilisation. Cette garantie ne couvre ni les dommages aux produits résultant d'un manque d'entretien, ni les produits qui ont été altérés ou modifiés. La garantie exclut les réparations rendues nécessaires par l'usure normale ou l'utilisation de pièces et accessoires incompatibles avec le produit d'extérieur RYOBI® ou nuisibles à son bon fonctionnement, ses performances ou sa durabilité. En outre, cette garanti exclut :

A. Les réglages – Bougies, carburateur, réglages du carburateur, allumage, filtres

B. Les articles consommables – Boutons d'avance par choc, bobines externes, lignes de coupe, bobines internes, poulies et cordons de lanceur, courroies d'entraînement, dents, rondelles en feutre, axes d'attelage, lames de paillage, ventilateur de soufflante, tubes de soufflage et d'aspiration, sacs à débris, guides, chaînes de scie

Techtronic Industries North America, Inc., se réserve le droit d'apporter des modifications ou améliorations à tout produit extérieur RYOBI®, sans obligation de modifier les produits fabriqués antérieurement.

LA DURÉE DE TOUTES LES GARANTIES IMPLICITES NE SAURAIT EN AUCUN CAS EXCÉDER LA PÉRIODE DE GARANTIE DÉCLARÉE. PAR CONSÉQUENT, TOUTES LES GARANTIES IMPLICITES, Y COMPRIS LES GARANTIES DE VALEUR MARCHANDE OU D'ADÉQUATION À UN USAGE PARTICULIER OU AUTRES SERONT INVALIDÉES À L'EXPIRATION DE LA PÉRIODE DE GARANTIE APPROPRIÉE DE TROIS ANS, UN AN OU QUATRE-VINGT-DIX JOURS. LES OBLIGATIONS DE TECHTRONIC INDUSTRIES NORTH AMERICA, INC., DANS LE CADRE DE CETTE GARANTIE SE LIMITENT EXCLUSIVEMENT À LA RÉPARATION OU AU REMPLACEMENT DES PIÈCES DÉFECTUEUSES ET TECHTRONIC INDUSTRIES NORTH AMERICA, INC. N'ASSUME OU N'AUTORISE QUICONQUE À ASSUMER QUELQUE AUTRE OBLIGATION QUE CE SOIT. CERTAINS ÉTATS ET PROVINCES NE PERMETTANT PAS DE LIMITATION DE DURÉE DES GARANTIES IMPLICITES, LES RESTRICTIONS CI-DESSOUS PEUVENT NE PAS ÊTRE APPLICABLES. TECHTRONIC INDUSTRIES NORTH AMERICA, INC., DÉCLINE TOUTE RESPONSABILITÉ EN CE QUI CONCERNE LES DOMMAGES DIRECTS, INDIRECTS OU AUTRES, Y COMPRIS, MAIS SANS S'Y LIMITER, LES FRAIS DE RETOUR DE PRODUITS À UN CENTRE DE RÉPARATION RYOBI AGRÉÉ ET DE RENVOI AU PROPRIÉTAIRE, DE DÉPLACEMENT D'UN TECHNICIEN, DE TÉLÉPHONE OU TÉLÉGRAMME, DE LOCATION D'UN PRODUIT SIMILAIRE PENDANT LA DURÉE DES RÉPARATIONS SOUS GARANTIE, DE DÉPLACEMENT, DE PERTES OU DOMMAGES À DES BIENS PERSONNELS, DE MANQUE À GAGNER, DE PERTE D'USAGE DU PRODUIT, DE PERTE DE TEMPS OU DE DÉRANGEMENT. CERTAINS ÉTATS ET PROVINCES NE PERMETTANT L'EXCLUSION OU LA LIMITATION DES DOMMAGES DIRECTS OU INDIRECTS, LES RESTRICTIONS CI-DESSOUS PEUVENT NE PAS ÊTRE APPLICABLES.

Cette garantie donne au consommateur des droits spécifiques, et celui-ci peut bénéficier d'autres droits, qui varient selon les états ou provinces.

Cette garantie couvre tous les produits d'extérieur RYOBI® fabriqués par Techtronic Industries North America, Inc., vendus aux États-Unis et au Canada.

Pour obtenir l'adresse du centre de réparations Ryobi agréé le plus proche, appeler le 1-800-860-4050.

GARANTIE

L'ÉNONCÉ DE CALIFORNIA AIR RESOURCES BOARD (CARB) QUI SUIT, S'APPLIQUE SEULEMENT AUX NUMÉROS DE MODÈLES QUI DOIVENT SE CONFORMER AUX EXIGENCES DE CARB.

TECHTRONIC INDUSTRIES NORTH AMERICA, INC. DÉCLARATION DE GARANTIE LIMITÉE SYSTÈMES DE CONTRÔLE DES ÉMISSIONS POUR LES ÉTATS-UNIS ET LA CALIFORNIE. PETITS MOTEURS NON ROUTIERS ET HORS ROUTE VOS DROITS ET RESPONSABILITÉS EN VERTU DE CETTE GARANTIE

L'U.S. Environmental Protection Agency (EPA), le California Air Resources Board (CARB) et Techtronic Industries North America, Inc. se font un plaisir de vous expliquer la garantie de conformité du système antipollution de votre petit moteur non routier ou hors-route, modèle 2010. En Californie, l'équipement neuf qui utilise les moteurs non routiers ou hors-route, doit être conçu, construit et équipé conformément aux strictes réglementations sur l'antipollution de cet État. Dans d'autres États, les moteurs non routiers modèles 2000 et ultérieurs doivent être conçus, construits et équipés au moment de la vente de façon à être conformes aux réglementations sur l'antipollution issues par l'EPA (agence de protection de l'environnement américaine) pour les petits moteurs non routiers. Le moteur non routier doit être exempt sur les vices de matériaux et de fabrication entraînant la non conformité aux réglementations de l'EPA, pendant les trois premières années d'utilisation, à compter de la date de vente à l'acheteur d'origine. Techtronic Industries North America, Inc. doit garantir le système de contrôle des émissions de vos petits moteurs non routiers ou hors-route pour la période indiquée ci-dessus, à condition que ceux-ci n'aient pas fait l'objet d'un usage abusif ou d'un manque d'entretien.

Votre système de contrôle des émissions peut inclure des pièces telles que le carburateur ou le système d'injection de carburant, le système d'allumage, les convertisseurs catalytiques, les réservoirs de carburant, les valves, les filtres, les fixations, les connecteurs et d'autres composants connexes. Il peut également inclure les tuyaux, les courroies, les connecteurs et d'autres articles relatifs au système d'émissions.

Dans l'éventualité d'un problème couvert par la garantie, Techtronic Industries North America, Inc. s'engage à réparer gratuitement votre moteur non routier ou hors-route, ce qui comprend le diagnostic, les pièces et la main-d'œuvre, dans un centre de réparations agréé pour les produits de marque RYOBI®.

DURÉE DE LA GARANTIE DU FABRICANT

Le système de contrôle d'émissions pour ce produit est garanti pour trois ans. Si une pièce relative au système de contrôle d'émissions de votre moteur est défectueuse, elle sera réparée ou remplacée sans frais par Techtronic Industries North America, Inc.

RESPONSABILITÉS DU PROPRIÉTAIRE DANS LE CADRE DE LA GARANTIE

(a) En tant que propriétaire de ce petit moteur non routier ou hors-route, vous êtes tenu d'effectuer les entretiens indiqués dans le manuel d'utilisation. Techtronic Industries North America, Inc. recommande de conserver tous les reçus relatifs à l'entretien du petit moteur non routier ou hors-route, mais Techtronic Industries North America, Inc. ne peut pas refuser la couverture de la garantie pour l'unique raison du manque de reçus ou parce que vous avez omis d'effectuer tous les entretiens prévus. Des pièces et services assurant des performances et une durabilité équivalente peuvent être utilisées pour les entretiens et réparations non couverts par la garantie, sans que cela ne change les obligations de garantie de Techtronic Industries North America, Inc.

(b) Toutefois, en tant que propriétaire du petit moteur non routier ou hors-route, vous devez être averti que les réparations couvertes par la garantie peuvent être refusées par Techtronic Industries North America, Inc. si la défaillance de ce moteur ou d'une de ses pièces est due à un usage abusif, la négligence, un manque d'entretien ou des modifications non approuvées.

(c) Vous êtes tenu de confier votre petit moteur non routier ou hors-route à un centre de réparations agréé dès qu'un problème se présente. Les réparations sous garantie seront effectuées dans un délai raisonnable, ne dépassant pas 30 jours.

Si vous avez des questions concernant vos droits et responsabilités dans le cadre de la garantie, contactez un représentant de Techtronic Industries North America, Inc. au 1-800-860-4050.

COUVERTURE

(a) La période de la couverture commence à la date de livraison du moteur ou d'équipement à l'acheteur.

(b) Couverture générale de garantie antipollution. Techtronic Industries North America, Inc. garantit à l'acheteur d'origine, ainsi qu'à tous les propriétaires ultérieurs, que son petit moteur non routier ou hors-route est conçu, construit et équipé conformément à toutes les réglementations de California Air Resources Board ou United States Environmental Protection Agency en vigueur au moment de la vente et que son petit moteur non routier ou hors-route sera exempt de tous défauts de matériaux ou de fabrication causant une non conformité aux réglementations en vigueur, pour une période de trois ans après l'acquisition du moteur par l'acheteur d'origine.

(c) La garantie sur les pièces se rapportant au système de contrôle d'émissions sera interprétée comme suit: Toute pièce couverte par la garantie qui ne doit pas être remplacée selon le Calendrier d'entretien du système de contrôle d'émissions et selon la Liste de pièces garanties, lesquels sont conformément stipulés ci-dessous, est garantie pour la période de trois ans. Si une telle pièce (y compris les pièces qui doivent seulement être inspectées régulièrement) s'avère défectueuse, elle sera réparée ou remplacée gratuitement dans un centre de réparations agréé RYOBI®. Toute pièce réparée ou remplacée dans le cadre de cette garantie sera garantie pour le reste de la durée de la garantie. Un énoncé stipulant « réparez ou remplacez au besoin » ne réduirait pas la période de couverture de la garantie. Toute pièce qui doit être remplacée conformément au Calendrier d'entretien du système de contrôle

d'émissions et la Liste de pièces garanties est garantie pour la période de temps précédant le premier remplacement prévu pour cette pièce. Toute pièce de ce genre réparée ou remplacée dans le cadre de cette garantie est garantie pour le restant de la période qui précède la première échéance de remplacement, et elle sera réparée ou remplacée gratuitement dans un centre de réparations agréé RYOBI® jusqu'au moment où elle doit être remplacée.

Techtronic Industries North America, Inc. effectuera les réparations sous garantie dans un centre de réparations RYOBI® agréé ou chez un concessionnaire. Tout diagnostic effectué dans un centre de réparations RYOBI® agréé sera gratuit si le diagnostic aide à déterminer qu'une pièce couverte par la garantie est défectueuse. Des pièces approuvées par le fabricant ou équivalentes peuvent être utilisées pour tout entretien ou réparation sous garantie des pièces relatives au système de contrôle des émissions et doivent être fournies gratuitement au propriétaire si la pièce est toujours sous garantie. Techtronic Industries North America, Inc. est responsable des dommages au moteur causés par une pièce toujours couverte par la garantie.

Des ajouts ou des pièces modifiées qui ne sont pas exemptées par California Air Resource Board ne peuvent pas être utilisées. L'utilisation de toute pièce non-exemptée ou modifiée peut justifier le refus d'une réclamation au titre de la garantie. Techtronic Industries North America, Inc. ne sera pas responsable pour des dommages aux pièces sous garantie causés par l'utilisation d'une pièce non-exemptée ou modifiée.

Le California Air Resources Board a publié une liste de toutes les pièces de systèmes d'émissions couvertes par une garantie. (Bien que les réglementations de l'EPA n'incluent pas de liste, les pièces qu'elle considère comme devant être garanties sont indiquées ci-dessous.) Techtronic Industries North America, Inc., fournira tous les documents relatifs aux procédures et politiques se rapportant à sa garantie dans les cinq jours suivant une demande de California Air Resources Board.

LISTE DE PIÈCES DU SYSTÈME DE CONTRÔLE D'ÉMISSIONS

Les pièces du système de contrôle d'émissions varient dépendamment du produit. Votre garantie du système de contrôle d'émissions s'applique à tous les composants suivants qui peuvent faire partie de votre produit:

- (1) Système de contrôle d'alimentation en carburant
 - (i) Carburateur et les composants internes (et/ou régulateur de pression ou système d'alimentation par injection).
 - (ii) Système de contrôle de rapport air/carburant.
 - (iii) Système d'enrichissement pour démarrage à froid.
 - (iv) Réservoir de carburant.
- (2) Système d'admission d'air
 - (i) Système d'admission contrôlée d'air chaud.
 - (ii) Tubulure d'admission.
 - (iii) Filtre à air.
- (3) Système d'allumage
 - (i) Bougies d'allumage.
 - (ii) Système d'allumage magnéto-électrique.
 - (iii) Système d'avance/retard à l'allumage.
- (4) Système de recirculation des gaz d'échappement (RGE)
 - (i) Corps de vanne et l'espaceur du carburateur de RGE, si applicable.
 - (ii) Système de contrôle du taux de RGE.
- (5) Système d'injection d'air
 - (i) Pompe à air ou valve à impulsion.
 - (ii) Valves qui affectent la distribution d'écoulement.
 - (iii) Distributeur.
- (6) Catalyseur ou système de réacteur thermique
 - (i) Convertisseur catalytique.
 - (ii) Réacteur thermique.
 - (iii) Tubulure d'échappement.
- (7) Contrôles de particules
 - (i) Pièges, filtres, électrofiltres et tout autre dispositif utilisé pour capturer les émissions de particules.
- (8) Pièces diverses utilisées dans les systèmes énumérés ci-dessus
 - (i) Commandes électroniques.
 - (ii) Valves et interrupteurs sensibles au vide, à la température et au temps.
 - (iii) Tuyaux, courroies, connecteurs et modules.

Techtronic Industries North America, Inc. fournira au propriétaire des instructions d'entretien et d'utilisation écrites avec chaque nouveau moteur.

La période de conformité aux réglementations antipollution de l'autocollant de conformité d'émissions indique le nombre nominal d'heures de fonctionnement du moteur conformément aux réglementations du gouvernement fédéral américain. Catégorie C = 50 heures, B = 125 heures, A = 300 heures.

REGLAS DE SEGURIDAD GENERALES

ADVERTENCIA:

Lea y comprenda todas las instrucciones. El incumplimiento de las instrucciones señaladas abajo puede causar descargas eléctricas, incendios y lesiones corporales serias.

LEA TODAS LAS INSTRUCCIONES

- Para utilizar este producto de una forma segura, lea y entienda todas las instrucciones antes de usarlo. Siga todas las instrucciones de seguridad. La inobservancia de todas las instrucciones de seguridad señaladas abajo puede causar lesiones corporales graves.
 - No permita que utilicen esta unidad niños ni personas carentes de la debida instrucción para su manejo.
 - Nunca arranque ni accione el motor en un área cerrada o con ventilación insuficiente; la inhalación de las emanaciones del escape puede ser mortal.
 - Despeje el área de trabajo cada vez antes de utilizar esta herramienta. Retire todos los objetos tales como piedras, vidrios rotos, clavos, alambre o cuerdas que pudiesen resultar lanzados o enredados en el hilo de corte o cuchilla, según sea el caso.
 - Siempre utilice protección ocular con protección lateral con la marca de cumplimiento de la norma ANSI Z87.1, como así también protección auditiva cuando utilice este equipo.
 - Póngase pantalones, mangas largas, botas y guantes gruesos. No se ponga ropa holgada o pantalones cortos, sandalias ni ande descalzo. No se ponga joyas de ninguna clase.
 - La ropa protectora pesada puede aumentar la fatiga del operador, lo cual puede originar un golpe de calor. En climas cálidos y húmedos, el trabajo pesado debe programarse para las primeras horas de la mañana o las últimas horas de la tarde, cuando las temperaturas son más bajas.
 - Los usuarios del producto en las jurisdicciones del Servicio Forestal de los Estados Unidos, y en algunos estados, deben cumplir con los reglamentos de prevención de incendios. Este producto está equipado de un parachispas; no obstante es posible que el usuario deba cumplir otros requisitos. Consulte con las autoridades federales, estatales o locales.
 - Nunca utilice esta unidad colocándola al lado izquierdo de usted.
 - Recójase el cabello largo arriba del nivel de los hombros para evitar que se enrede en las piezas móviles.
 - Mantenga a todas las personas presentes, niños y animales por lo menos a 15 m (50 pies) de distancia. Debe exhortarse a los circunstantes a ponerse protección para los ojos. Si alguien se aproxima mientras usted está utilizando la herramienta, apague el motor y el accesorio de corte. En el caso de las unidades con cuchilla, existe el riesgo adicional de que las personas presentes sufran lesiones al ser golpeadas con la cuchilla en movimiento en caso de un contragolpe de la cuchilla u otra reacción inesperada de la sierra.
 - No use esta unidad cuando se encuentre fatigado, enfermo o bajo los efectos del alcohol, drogas o medicamentos.
 - No utilice este producto si no hay luz suficiente.
 - Mantenga los pies bien afirmados y el equilibrio. No trate de alcanzar demasiado lejos. Al tratar de hacerlo puede perder el equilibrio o exponerse al contacto con superficies calientes.
 - Mantenga todas las partes del cuerpo alejadas de toda pieza móvil.
 - Para evitar tocar superficies calientes, al utilizar esta unidad nunca coloque la parte inferior de la misma arriba del nivel de la cintura.
 - No toque las áreas alrededor del silenciador o del cilindro de la unidad, estas partes se calientan durante el funcionamiento. Contacto con superficies calientes puede causar lesiones serias.
 - Siempre apague el motor y retire el cable de la bujía antes de realizar cualquier ajuste o reparaciones, excepto para los ajustes del carburador.
 - Inspeccione cada vez la unidad antes de usarla para ver si tiene tornillos flojos, fugas de combustible, etc. Reemplace toda pieza dañada antes de utilizar la unidad.
 - El accesorio de corte nunca debe girar en marcha lenta durante el uso normal. El accesorio de corte puede girar en marcha lenta durante los ajustes del carburador.
 - Ha habido informes de que las vibraciones de las herramientas motorizadas de mano pueden contribuir, en ciertas personas, al desarrollo de una condición llamada síndrome de Raynaud. Entre los posibles síntomas está el hormigueo, el entumecimiento y la palidez de los dedos, síntomas presentes normalmente con la exposición al frío. Se cree que los factores hereditarios, la exposición al frío y a la humedad, la dieta, el fumar y las prácticas de trabajo contribuyen al desarrollo de estos síntomas. Actualmente se desconoce qué tipo de vibraciones o cuánto tiempo de exposición a las mismas, si tal es el caso, pueden contribuir a la mencionada afección. Hay medidas de precaución que puede tomar el operador para reducir posiblemente los efectos de la vibración:
 - a) Mantenga caliente el cuerpo en tiempo frío. Al utilizar la unidad use guantes para mantener calientes las manos y las muñecas. Los informes médicos indican que el clima frío es un factor importante que contribuye al síndrome de Raynaud.
 - b) Después de cada período de utilización de la unidad, haga ejercicio para aumentar la circulación de la sangre.
 - c) Tome descansos frecuentes durante el trabajo. Limite la cantidad de exposición al día.
 - d) Mantenga la herramienta bien cuidada, con los elementos de sujeción debidamente apretados y siempre cambiando las piezas desgastadas.
- Si sufre cualquiera de los síntomas propios de esta condición, de inmediato interrumpa el uso de la unidad y consulte a su doctor en lo concerniente a los mismos.
- Mezcle y guarde el combustible en un recipiente aprobado para gasolina.
 - Mezcle el combustible al aire libre, donde no haya chispas ni llamas. Limpie todo derrame de combustible. Aléjese por lo menos 9 m (30 pies) del sitio de reabastecimiento de combustible antes de encender el motor. Afloje lentamente la tapa del tanque de combustible después de apagarse el motor. No fume durante el reabastecimiento.
 - Apague el motor y deje que se enfríe antes del reabastecimiento de combustible o de guardar la unidad.
 - Deje que se enfríe el motor; vacíe el tanque de combustible y fije la unidad para inmovilizarla antes de transportarla en un vehículo.
 - Póngase equipo de protección y observe todas las instrucciones de seguridad. Para los productos equipados de embrague, asegúrese de que el accesorio de corte deje de girar al tenerse el motor en marcha lenta. Al apagar la unidad, asegúrese de que el accesorio de corte se haya detenido antes de dejarla en reposo.




REGLAS DE SEGURIDAD ESPECÍFICAS

REGLAS DE SEGURIDAD ESPECÍFICAS PARA EL USO DE LA RECORTADORA








- Inspeccione el producto cada vez antes usarlo. Reemplace toda pieza dañada. Asegúrese de que todos los tornillos y demás elementos de unión estén en lugar y bien firmes. Revise la herramienta para ver si tiene fugas de combustible.
- Reemplace el cabezal del hilo si estuviese agrietado, astillado o dañado de alguna manera. Asegúrese de que el cabezal del hilo, o cuchilla, según sea el caso, esté debidamente instalado y firmemente asegurado. La inobservancia de esta advertencia puede causar lesiones corporales serias.
- Asegúrese de que todas las protecciones, correas, deflectores y mangos estén firme y correctamente instalados.
- No use cuchillas, dispositivos desgranadores, cables ni cuerdas. Sólo use hilo de repuesto del fabricante en cabezales cortadores. No use ningún otro accesorio de corte. La instalación de un cabezal cortador de cualquier otra marca en esta recortadora de hilo puede.
- Nunca utilice la unidad si el deflector de césped no está en posición y en buenas condiciones de funcionamiento.
- Sujete firmemente ambos mangos al estar recortando. Mantenga el cabezal del hilo por debajo del nivel de la cintura. Nunca corte con el cabezal del hilo a más de 762 mm (30 pulg.) del suelo.

SÍMBOLOS

Las siguientes palabras de señalización y sus significados tienen el objeto de explicar los niveles de riesgo relacionados con este producto.

SÍMBOLO	SEÑAL	SIGNIFICADO
	PELIGRO:	Indica una situación peligrosa inminente, la cual, si no se evita, causará la muerte o lesiones serias.
	ADVERTENCIA:	Indica una situación peligrosa posible, la cual, si no se evita, podría causar la muerte o lesiones serias.
	PRECAUCIÓN:	Indica una situación potencialmente peligrosa la cual, si no se evita, puede causar lesiones leves o moderadas.
	PRECAUCIÓN:	(Sin el símbolo de alerta de seguridad) Indica una situación que puede producir daños materiales.

Es posible que se empleen en este producto algunos de los siguientes símbolos. Le suplicamos estudiarlos y aprender su significado para mayor seguridad al manejar este producto.

SYMBOLO	NOMBRE	EXPLICACIÓN
	Símbolo de alerta de seguridad	Indica un peligro posible de lesiones personales.
	Lea el manual del operador	Para reducir el riesgo de lesiones, el usuario debe leer y comprender el manual del operador antes de usar este producto.
	Protección para los ojos y los oídos	Siempre utilice protección ocular con protección lateral con la marca de cumplimiento de la norma ANSI Z87.1, como así también protección auditiva cuando utilice este equipo.
	Mantenga alejadas a las personas presentes	Mantenga alejados a los observadores a un mínimo de 15 m (50 pies) de distancia.
	Rebote	Cualquier objeto lanzado puede rebotar y producir lesiones personales o daños físicos.
	No instale hoja de corte	No instale ni utilice ningún tipo de hoja de corte en ningún producto con este símbolo.
	Gasolina y lubricante	Use gasolina sin plomo destinada para vehículos con un octanaje de 87 [(R + M) / 2] o más. Este producto está impulsado por un motor de dos tiempos y utiliza una mezcla de gasolina y lubricante para motor de dos tiempos.

CARACTERÍSTICAS

ESPECIFICACIONES DEL PRODUCTO

Peso - (sin combustible)

CS26 4,7 kg (10,3 lb.)

SS26..... 5,4 kg (11,8 lb.)

Anchura del corte del hilo

CS26 432 mm (17 pulg.)

SS26 y BC26..... 457 mm (18 pulg.)

Cilindrada del motor..... 26 cc

Diámetro del hilo

Mecanismo de avance de hilo Reel-Easy™..... 2,4 mm (0,095 pulg.)

Inserto para cabezal del hilo con línea fija Dual Spool™ 2,4 mm a 2,7 mm máx. (0,095 pulg. a 0,105 pulg. máx.)

FAMILIARÍCESE CON SU PRODUCTO

Vea la figuras 1 y 2.

Para usar este producto con la debida seguridad se debe comprender la información indicada en la herramienta misma y en este manual, y se debe comprender también el trabajo que intenta realizar. Antes de usar este producto, familiarícese con todas las características de funcionamiento y normas de seguridad del mismo.

DEFLECTOR DE PASTO

La producto incorpora un deflector de pasto que ayuda a proteger al operador de los desechos lanzados por la herramienta.

MECANISMO DE AVANCE DE HILO REEL-EASY™

El sistema de avance de hilo por golpe Reel-Easy™ permite avanzar con facilidad el hilo al utilizarse la recortadora.

MOTOR MONTADO EN LA PARTE SUPERIOR

Con el motor montado en la parte superior se mejora el equilibrio y está alejado del polvo y de los desechos del área de corte.

ARMADO

DESEMPAQUETADO

Este producto debe armarse.

- Extraiga cuidadosamente de la caja la producto y los accesorios. Asegúrese de que estén presentes todos los artículos enumerados en la lista de empaquetado.



ADVERTENCIA:

No utilice este producto si alguna pieza incluida en la lista de contenido ya está ensamblada al producto cuando lo desempaqueta. El fabricante no ensambla las piezas de esta lista en el producto. Éstas deben ser instaladas por el usuario. El uso de un producto que puede haber sido ensamblado de forma inadecuada podría causar lesiones personales graves.

- Inspeccione cuidadosamente la producto para asegurarse de que no haya sufrido ninguna rotura o daño durante el transporte.
- No deseche el material de empaquetado hasta que haya inspeccionado cuidadosamente la producto y la haya utilizado satisfactoriamente.
- Si hay piezas dañadas o faltantes, le suplicamos llamar al 1-800-860-4050, donde le brindaremos asistencia.

LISTA DE EMPAQUETADO

CS26

Conjunto de la recortadora

Mango delantero

Deflector de pasto del eje curvo

Inserto para cabezal del hilo con línea fija Dual Spool™

Botella de lubricante para motor de dos tiempos

Manual del operador

SS26

Conjunto de la recortadora

Mango delantero

Deflector de pasto del eje recto

Inserto para cabezal del hilo con línea fija Dual Spool™

Botella de lubricante para motor de dos tiempos

Manual del operador

ARMADO

ADVERTENCIA:

Si falta o está dañada alguna pieza, no utilice este producto sin haber reemplazado la pieza. Usar este producto con partes dañadas o faltantes puede causar lesiones serias al operador.

ADVERTENCIA:

No intente modificar este producto ni hacer accesorios no recomendados para la misma. Cualquier alteración o modificación constituye maltrato el cual puede causar una condición peligrosa, y como consecuencia posibles lesiones corporales serias.

ADVERTENCIA:

Para evitar un arranque accidental que podría causar lesiones corporales graves, siempre desconecte el cable de la bujía del motor de la bujía misma al ensamblar las piezas.

INSTALACIÓN DEL CABEZAL MOTOR EN EL ADITAMENTO

Vea la figura 3.

ADVERTENCIA:

Nunca una ni ajuste ningún aditamento, desmontar o mientras esté funcionando el cabezal motor. Si no apaga el motor puede causarse lesiones serias a sí mismo y a otras personas.

El aditamento se conecta al cabezal motor mediante un dispositivo acoplador.

- Afloje la perilla en el acoplador del eje del cabezal de potencia y retire la tapa de suspensión del accesorio.
- Oprima el botón situado en el eje del aditamento. Alinee el botón con el hueco guía situado en el acoplador del cabezal motor, y con un movimiento de deslizamiento una los dos ejes. Gire el eje del aditamento hasta que el botón quede asegurado en el orificio de posicionamiento.

NOTA: Si el botón no brota completamente en el orificio de posicionamiento, significa que los ejes no están bien asegurados en su lugar. Gire levemente los ejes de un lado a otro hasta que el botón quede asegurado en su lugar.

- Apriete firmemente la perilla.

ADVERTENCIA:

Asegúrese de que esté bien apretada la perilla antes de utilizar el equipo; verifique periódicamente el apriete de la misma durante el uso para evitar lesiones corporales graves.

DESMONTAJE DEL ADITAMENTO DEL CABEZAL MOTOR

Para desmontar o cambiar el aditamento:

- Afloje la perilla.
- Oprima el botón y gire los ejes para separar los extremos de los mismos.

MONTAJE DE LA ASA DE ALMACENAMIENTO

Vea la figura 4.

Hay dos formas de colgar el aditamento para guardarlo:

- Para usar la tapa de suspensión, oprima el botón y coloque la tapa en el extremo del eje del aditamento. Gire levemente la tapa de un lado a otro hasta que quede asegurado en su lugar el botón.
- El orificio secundario del eje del aditamento puede emplearse también para colgar éste.

MONTAJE DEL MANGO DELANTERO

Vea la figura 5.

- Retire la tuerca de mariposa, arandela y perno del clip de la mango delantero.
- Instale el mango delantero sobre el lado superior del alojamiento del eje de impulsión en el área que indica la etiqueta.

NOTA: El lado abierto del mango debe quedar orientado hacia el operador.

- Coloque el perno a través del mango delantero.

NOTA: El perno de cabeza hexagonal cabe en el hueco de tal forma moldeado en un costado del mango.

- Vuelva arandela y tuerca de mariposa.
- Apriete firmemente la tuerca de mariposa.

MONTAJE DEL DEFLECTOR DE PASTO

ADVERTENCIA:

La cuchilla de cortar el hilo del deflector de pasto está afilada. Evite tocar la cuchilla. Si no evita tal contacto puede originarse lesiones corporales serias.

PARA MONTAR EL DEFLECTOR DE PASTO DEL EJE CURVO - CS26

Vea la figura 6.

- Quite tornillo de hexagonal, la arandela y la tuerca de mariposa del deflector de pasto.
- Monte el deflector de pasto en la parte inferior del eje curvo, como se muestra.
- Introduzca el tornillo de hexagonal a través del deflector de pasto y del soporte del eje curvo.
- Coloque la arandela en el tornillo de hexagonal.
- Coloque la tuerca de mariposa en el tornillo de hexagonal y apriételes firmemente.

ARMADO

PARA MONTAR EL DEFLECTOR DE PASTO PARA EJE RECTO - SS26

Vea la figura 7.

- Retire el tornillo de mariposa del deflector de pasto.
- Introduzca la orejeta del soporte de montaje en la ranura del deflector de pasto.

- Alinee el orificio del tornillo en el soporte de montaje con orificio del tornillo del deflector de pasto.
- Introduzca el tornillo de mariposa a través del soporte de montaje y en el deflector de pasto.
- Apriete firmemente el tornillo.

FUNCIONAMIENTO

ADVERTENCIA:

No permita que su familiarización con este producto le vuelva descuidado. Tenga presente que un descuido de un instante es suficiente para infligir una lesión grave.

ADVERTENCIA:

Siempre utilice protección ocular con protección lateral con la marca de cumplimiento de la norma ANSI Z87.1, como así también protección auditiva cuando utilice este equipo.

ADVERTENCIA:

No use cuchillas, dispositivos desgranadores, cables ni cuerdas. No utilice ningún aditamento o accesorio no recomendado por el fabricante de este producto. El empleo de aditamentos o accesorios no recomendados podría causar lesiones serias.

ABASTECIMIENTO Y REABASTECIMIENTO DE COMBUSTIBLE DE LA RECORTADORA

MEZCLA DE COMBUSTIBLE

Este producto está accionado por un motor de 2 tiempos y requiere el premezclado de gasolina y lubricante para motor de dos tiempos. Mezcle previamente gasolina sin plomo y lubricante para motores de 2 tiempos en un recipiente de 1 galón de capacidad y de uso aprobado para gasolina.

Combustible recomendado: El motor está certificado para funcionar con gasolina sin plomo destinada para uso automotor. Mezcle lubricante de alta calidad para motor de dos tiempos a razón de 2,6 onz. por galón americano.

No use lubricante de uso automotor ni lubricante para motores fuera de borda de 2 tiempos.

NO mezcle más producto del que pueda utilizar en un período de 30 días.

LUBRICANTE DE ALTA CALIDAD PARA MOTOR DE DOS TIEMPOS



GASOLINA

1 galón (US)
1 litro

LUBRICANTE

2.6 onzas
20 cc (20 ml)

LLENADO DEL TANQUE

- Limpie la superficie alrededor de la tapa del tanque de combustible para evitar toda contaminación.

- Afloje lentamente la tapa del tanque de combustible. Coloque la tapa en una superficie limpia.
- Vierta cuidadosamente el combustible en el tanque. Evite los derrames.
- Antes de volver a colocar la tapa del tanque de combustible, limpie e inspeccione la junta.
- Vuelva a colocar inmediatamente la tapa del tanque de combustible y apriételo con la mano. Limpie todo derrame de combustible.

NOTA: Es normal que salga humo de un motor nuevo después de usarlo por primera vez.

ADVERTENCIA:

Siempre apague el motor antes de abastecer el combustible. Nunca agregue combustible a una máquina con el motor en marcha o caliente. Aléjese por lo menos 30 pies (9 metros) del sitio de reabastecimiento de combustible antes de encender el motor. ¡No fume! La inobservancia de esta advertencia puede causar lesiones serias.

COMBUSTIBLES OXIGENADOS

NO USE COMBUSTIBLE E85. ANULARÁ SU GARANTÍA.

NOTA: No están cubiertos en la garantía los problemas de desempeño o daños al sistema de combustible producidos por el uso de un combustible oxigenado con un contenido superior a los porcentajes de alcohol o compuesto de éter señalados abajo.

Etanol. Las gasolinas con un contenido de 10% de etanol por volumen (comunmente conocida como E10) o 15% de etanol por volumen (comunmente conocida como E15) son aceptables. **La E85 no lo es.**

ARRANQUE Y APAGADO

Vea las figuras 8 a 10.

Para el arranque debe colocarse la recortadora en una superficie plana y despejada.

Para arrancar con el motor frío:

- Presione lentamente 10 veces la bomba de cebado.
NOTA: Luego de la 7ª vez que oprima, se debe ver el combustible en la bomba de cebado. Si esto no sucede, continúe presionando el cebador hasta que vea combustible en la bomba.
- Coloque la palanca del anegador en la posición **FULL CHOKE** (anegación máxima).
- Oprima completamente el gatillo del acelerador y tire energicamente del mango del arrancador hasta que el motor intente arrancar. No tire de la cuerda del arrancador más de cuatro (4) veces.
NOTA: Mantenga completamente oprimido el gatillo.
- Coloque la palanca del anegador en la posición **HALF CHOKE** (anegación media).

FUNCIONAMIENTO

- Tire del mango del arrancador hasta que empiece a funcionar el motor. No tire del mango del arrancador más de seis (6) veces. NOTA: Si el motor no arranca, ponga el anegador en "FULL CHOKE" (anegación máxima) y repita los pasos.
- Permita que el motor funcione 10 segundos y después ponga la palanca del anegador en la posición **RUN** (funcionamiento).

Para arrancar con el motor caliente:

- Presione lentamente 10 veces la bomba de cebado.
- Después ponga la palanca del anegador en la posición **RUN** (funcionamiento).
- Oprima completamente el gatillo del acelerador y tire del mango del arrancador hasta que empiece a funcionar el motor.

Para apagar el motor:

- Para apagar el motor, coloque el interruptor de **STOP** en la posición de apagado "OFF".

SI NECESITA ASISTENCIA PARA EL ARRANQUE ESTE PRODUCTO:

No devuelva este producto a la tienda donde fue adquirido. Por favor llame al Departamento de Atención al Cliente para todo problema que pueda tener.

Si necesita asistencia llame al: 1-800-860-4050.

MANEJO DE LA RECORTADORA

Vea la figura 11.

ADVERTENCIA:

Siempre coloque la unidad al lado derecho de usted. Si se utiliza la unidad colocándola en el lado izquierdo del cuerpo, el usuario expone éste a superficies calientes, lo cual puede causar lesiones por quemadura.

ADVERTENCIA:

Para evitar quemaduras causadas por tocar superficies calientes, al utilizar esta unidad nunca coloque la parte inferior de la misma arriba del nivel de la cintura.

Sujete la recortadora con la mano derecha en el mango trasero y coloque la mano izquierda en el mango delantero. Sujete firmemente la unidad con ambas manos durante la operación. Se recomienda sujetar la recortadora en una posición cómoda, con el mango trasero a la altura de la cadera.

Siempre utilice la recortadora a la posición **RUN** (funcionamiento). Corte la hierba alta desde la parte superior hacia abajo. Esto evitará que la hierba se enrolle alrededor del alojamiento del eje y del cabezal del hilo que pudiese causar daño por calentamiento excesivo. Si la hierba se enrolla alrededor del cabezal del hilo, APAGUE EL MOTOR, desconecte el cable de la bujía y desprenda la hierba. Un recorte prolongado con el acelerador parcialmente abierto produce goteo de lubricante por el silenciador.

ADVERTENCIA:

Siempre sujete la recortadora de hilo lejos del cuerpo, manteniendo un espacio entre el cuerpo y la herramienta. Cualquier contacto del cuerpo con la armazón o el cabezal de corte de la recortadora de hilo puede producir quemaduras y/o otras lesiones serias.

SUGERENCIAS PARA CORTAR

Vea las figuras 11 a 13.

- Evite tocar las superficies calientes de la herramienta; para ello, manténgala lejos del cuerpo. (La posición correcta de manejo de la herramienta se muestra en la figura 11.)
- Mantenga la recortadora inclinada hacia el área de corte; ésta es la mejor área de corte.
- La recortadora de eje curvo corta cuando se pasa la unidad de derecha a izquierda. La recortadora de eje recto corta cuando se pasa la unidad de izquierda a derecha. De esta manera se evita el lanzamiento de desechos hacia el operador. Evite cortar en el área peligrosa mostrada en la ilustración.
- Use la punta del hilo para efectuar el recorte; no fuerce el cabezal del hilo hacia la hierba sin cortar.
- Las cercas de alambre y de estacas causa desgaste adicional en el hilo, incluso la ruptura. Los muros de piedra y de ladrillo, los cordones y la madera pueden gastar rápidamente el hilo.
- Evite el contacto con árboles y los arbustos. La corteza de los árboles, las molduras de madera, los revestimientos de las paredes y los postes de las cercas pueden resultar dañados fácilmente por el hilo.

AVANCE DEL HILO UTILIZANDO EL SISTEMA DE AVANCE DE HILO POR GOLPE REEL-EASY™

El avance del hilo se controla golpeando levemente el cabezal del hilo sobre la hierba mientras el motor funciona a la máxima aceleración.

- Haga funcionar el motor a la máxima aceleración.
- Golpee levemente el cabezal sobre el suelo para hacer avanzar el hilo. El hilo avanza cada vez que se golpea el cabezal.
- Quizá se necesiten varios golpes hasta que el hilo haga contacto con la cuchilla de corte.
- Reanude el recortado.

NOTA: Si el hilo se gasta hasta quedar muy corto quizá no pueda avanzar el hilo tras golpear el cabezal contra el suelo. Si así fuese, APAGUE EL MOTOR, desconecte el cable de la bujía y avance manualmente el hilo.

AVANCE MANUALMENTE EL HILO

Con el motor apagado y el cable de la bujía desconectó, empuje hacia abajo el retén del carrete mientras tira del hilo, o hilos, según sea el caso, para avanzar manualmente el hilo.

CUCHILLA DE CORTE DEL HILO EN EL DEFLECTOR DE HIERBA

Vea la figura 14.

Esta recortadora está equipada con una cuchilla de corte del hilo instalada en el deflector de pasto. Para mejores resultados en el recorte, avance el hilo hasta que la cuchilla lo corte a la longitud apropiada. Avance el hilo siempre que escuche que el motor está funcionando más rápido de lo normal, o cuando disminuya la eficiencia del corte. Esto mantendrá un mejor desempeño y mantendrá el hilo a la suficiente longitud para avanzar apropiadamente.

MANTENIMIENTO

ADVERTENCIA:

Al dar servicio a la unidad, sólo utilice piezas de repuesto idénticas. El empleo de piezas diferentes puede causar un peligro o dañar el producto.

ADVERTENCIA:

Siempre utilice protección ocular con protección lateral con la marca de cumplimiento de la norma ANSI Z87.1, como así también protección auditiva cuando utilice este equipo.

ADVERTENCIA:

Antes de inspeccionar, limpiar o dar mantenimiento a la máquina, apague el motor, espere hasta que se detengan todas las piezas en movimiento, desconecte el cable de la bujía y apártelo de la bujía. El incumplimiento de estas instrucciones puede provocar lesiones personales graves o daños materiales.

MANTENIMIENTO GENERAL

Evite el empleo de solventes al limpiar piezas de plástico. La mayoría de los plásticos son susceptibles a diferentes tipos de solventes comerciales y pueden resultar dañados. Utilice paños limpios para eliminar la suciedad, el polvo, el lubricante, la grasa, etc.

ADVERTENCIA:

No permita en ningún momento que fluidos para frenos, gasolina, productos a base de petróleo, lubricantes penetrantes, etc., lleguen a tocar las piezas de plástico. Los productos químicos pueden dañar, debilitar o destruir el plástico, lo cual puede causar lesiones serias.

A menudo, usted puede efectuar los ajustes y reparaciones descritos aquí. Para otro tipo de reparaciones, lleve la recortadora a un establecimiento de servicio autorizado.

REEMPLAZO DEL CARRETE SISTEMA DE AVANCE DE HILO POR GOLPE REEL-EASY™

Veá las figuras 15 a 17.

Si únicamente va a reabastecer el hilo, consulte la sección **Reabastecimiento del hilo** más adelante en este manual.

Use únicamente hilo monofilar de 2,4 mm (0,095 pulg.) de diámetro.

- Apague el motor y desconecte el cable de la bujía. Sujete el cabezal del hilo y desenrosque el retén del carrete.

Para retirar el retén del carrete:

En el caso de la CS26, gire hacia la izquierda el retén del carrete.

En el caso de la SS26, gire hacia la derecha el retén del carrete.

- Retire el carrete vacío del cabezal del hilo.

NOTA: No es necesario quitar el alojamiento del cabezal del hilo del eje de impulsión.

- Inserte el nuevo carrete en el cabezal del hilo.

NOTA: Asegúrese de que las flechas en el carrete estén alineadas con los ojillos en el alojamiento del cabezal del hilo. Presione hacia abajo y mantenga presionado el carrete y el alojamiento al mismo tiempo mientras se completa la instalación.

- Vuelva a colocar el retén del carrete para asegurarlo.

Para instalar el retén del carrete:

En el caso de la CS26, gire hacia la derecha el retén del carrete.

En el caso de la SS26, gire hacia la izquierda el retén del carrete.

- Coloque el hilo como se describe en la sección **Reabastecimiento del hilo**.

REABASTECIMIENTO DEL HILO

Veá las figuras 17 a 19.

- Apague el motor y desconecte el cable de la bujía.
- Gire el carrete hacia la derecha según sea necesario para alinear las flechas del carrete con los ojillos en el alojamiento del cabezal del hilo.
- Corte una pieza de hilo monofilar de 3,1 m (10 pies) de largo. Encuentre la mitad del tramo de hilo. Inserte el hilo en el ojillo ubicado en el alojamiento de la recortadora de hilo. Empuje hasta que el extremo del hilo salga por el otro lado del cabezal del hilo. Tire del hilo del otro lado hasta que obtenga la misma cantidad de hilo en ambos lados del carrete.
- Gire el carrete hacia la derecha para enrollar el hilo en éste hasta obtener aproximadamente 152,4 mm (6 pulg.) de hilo en cada lado.
- Presione el retén del carrete a la vez que tira del hilo, o hilos, para avanzar manualmente el hilo y para verificar el ensamblaje correcto del cabezal del hilo.

INSTALACIÓN DEL INSERTO PARA CABEZAL DEL HILO CON LÍNEA FIJA DUAL SPOOL™

Veá la figura 20 y 21.

- Detenga el motor y desconecte el cable de la bujía.
- Quite el retén del carrete.
- Quite el carrete y el resorte del cabezal del hilo.
- Busque la palabra LOAD en la parte superior del inserto del cabezal del hilo con línea fija Dual Spool™, luego ubique los orificios que están a los lados del inserto debajo de LOAD. Coloque el inserto dentro del cabezal del hilo de modo que los orificios de los lados del inserto se alineen con las ranuras situadas a los lados del cabezal del hilo. Asegúrese de que el carrete esté completamente asentado.
- Vuelva a colocar el retén del carrete en el cabezal del hilo y gírelo a la izquierda para asegurarlo.
- Instale el hilo como se describe en la siguiente sección de este manual.

MANTENIMIENTO

INSTALACIÓN DEL HILO EN EL CABEZAL DEL HILO CON LÍNEA FIJA DUAL SPOOL™

Vea la figura 21.

Use únicamente hilo monofilamento de 2,4 mm a 2,7 mm. (0,095 pulg. a 0,105 pulg.) de diámetro.

- Detenga el motor y desconecte el cable de la bujía.
- Tome dos de los tramos precortados del hilo de la recortadora suministrados o corte dos piezas de hilo de la recortadora en tramos de 279,4 mm (11 pulg.).
- Introduzca los hilos en las ranuras situadas a los lados del cabezal del hilo. El hilo debe introducirse hasta que sobresalgan aproximadamente 25,4 mm (1 pulg.) de los orificios en la parte superior del cabezal del hilo.
- Tire del hilo viejo para retirarlo a través de los orificios situados en la parte superior del cabezal del hilo.

LIMPIEZA DEL ORIFICIO DE ESCAPE Y DEL SILENCIADOR

NOTA: Dependiendo del tipo de combustible utilizado, el tipo y la cantidad de lubricante utilizado, o las condiciones de funcionamiento en particular, la abertura de escape, el silenciador y/o el parachispas pueden resultar obstruidos con depósitos de carbón. Si observa alguna pérdida de potencia en su herramienta con motor de gasolina, quizá sea necesario eliminar dichos depósitos para restaurar el rendimiento. Recomendamos enfáticamente que este servicio lo realicen únicamente los técnicos de servicio calificados.

PARACHISPAS

Es necesario limpiar o reemplazar el parachispas cada 50 horas o anualmente para asegurarse del buen funcionamiento de la unidad. Los parachispas pueden estar instalados en diferentes posiciones dependiendo del modelo del cual se trate. Comuníquese con el establecimiento de servicio más cercano para confirmar la ubicación del parachispas para su modelo específico.

AJUSTE DE LA MARCHA LENTA

Vea la figura 22.

Si el accesorio del corte avanza estando el motor en marcha lenta, se necesita ajustar el tornillo de marcha lenta del motor. Gire el tornillo de velocidad de marcha lenta en el sentido contrario a las manecillas del reloj para reducir las RPM y que se detenga el movimiento del accesorio del corte. Si el accesorio del corte aún se mueve al estar el motor en marcha lenta, contacte a un representante de servicio para el ajuste y suspenda el uso de la misma hasta que se efectúe la reparación.

ADVERTENCIA:

El accesorio del corte nunca debe girar en marcha lenta. Gire a la izquierda el tornillo de marcha lenta para reducir dicha marcha y así detener el accesorio de corte, o comuníquese con un representante de servicio para que la ajusten, y suspenda el uso de la unidad hasta que se efectúe la reparación. Si el accesorio del corte se mueve al estar el motor en marcha lenta, pueden resultar lesiones corporales serias.

LIMPIEZA DEL FILTRO DE AIRE PANTALLA

Vea las figuras 23 y 24.

Para obtener un desempeño apropiado y una larga vida útil de la unidad, mantenga limpio el filtro de aire.

- Para retirar la tapa del filtro de aire pantalla, con el dedo pulgar empuje el pestillo hacia abajo y tire con cuidado de la tapa.
- Cepille levemente la pantalla del filtro de aire para limpiarlo.
- Para volver a colocar la tapa del filtro de aire, introduzca las orejetas de la parte inferior de la tapa en las ranuras de la base del filtro; empuje hacia arriba la tapa hasta que quede firmemente trabada en su lugar.

TAPA DEL TANQUE DE COMBUSTIBLE

ADVERTENCIA:

Revise la herramienta para ver si tiene fugas de combustible. Una tapa del tanque de combustible con fugas constituye un riesgo de incendio y debe reemplazarse inmediatamente. Si encuentra fugas, corrija el problema antes de utilizar la herramienta. De lo contrario puede producirse un incendio, con el consiguiente riesgo de lesiones serias.

La tapa del tanque de combustible contiene un filtro que no necesita mantenimiento y una válvula de retención. Un filtro de combustible obstruido puede causar un desempeño deficiente del motor. Si mejora el desempeño al aflojar la tapa del tanque de combustible, es posible que esté defectuosa la válvula de retención o quizá esté obstruido el filtro. Reemplace la tapa del tanque de combustible si es necesario.

REEMPLAZO DE LA BUJÍA

En este motor se emplea una bujía Champion RCJ-6Y o NGK BPMR7A con una separación interelectrónica de 0,63 mm (0,025 pulg.). Utilice un repuesto idéntico y cámbielo anualmente.

ALMACENAMIENTO DE LA PRODUCTO

- Limpie todo material extraño de la producto. Almacene la unidad en un espacio bien ventilado inaccesible a los niños. Evite que la unidad entre en contacto con agentes corrosivos como las sustancias químicas para el jardín y las sales para derretir el hielo.
- Cumpla todos los reglamentos federales y municipales para el almacenamiento y manejo seguro de la gasolina.

Al almacenar 1 mes o más:

- Drene todo el combustible del tanque en un recipiente de uso aprobado para gasolina. Accione el motor hasta que se apague.

SOLUCIÓN DE PROBLEMAS

SI CON ESTAS SOLUCIONES NO SE RESUELVE EL PROBLEMA, COMUNÍQUESE CON EL CONCESIONARIO DE SERVICIO AUTORIZADO DE SU PREFERENCIA.

PROBLEMA	CAUSA POSIBLE	SOLUCIÓN
El motor no arranca	<ol style="list-style-type: none"> 1. No hay chispa. 2. No hay combustible. 3. Está ahogado el motor. 	<ol style="list-style-type: none"> 1. Limpie o reemplace la bujía, según sea necesario. Reajuste la separación interelectródica de la bujía. Consulte la sección Reemplazo de la bujía más arriba en este manual. 2. Presione la bomba de cebado hasta que se llene de combustible la misma. Si no se llena la bomba, significa que está obstruido el sistema de conducción de combustible. Comuníquese con un establecimiento autorizados de servicio. Si se llena la bomba, es posible que esté ahogado el motor, prosiga con el siguiente punto. 3. Coloque la palanca del anegador en la posición START (arranque). Oprima el gatillo y tire de la cuerda hasta que el motor arranque y funcione. NOTA: Dependiendo de la intensidad del ahogamiento, pueden requerirse numerosos tirones de la cuerda.
El motor no alcanza la máxima velocidad y emite demasiado humo	<ol style="list-style-type: none"> 1. Mezcla de lubricante y combustible incorrecta. 2. Está sucio el filtro de aire pantalla. 3. Está sucia la pantalla parachispas. 4. Falló la bujía. 	<ol style="list-style-type: none"> 1. Use combustible fresco y la mezcla correcta de lubricante para motor de 2 tiempos. (50:1). 2. Limpie el filtro de aire pantalla. Consulte la sección Limpieza del filtro de aire pantalla previamente en este manual. 3. Comuníquese con un establecimiento autorizados de servicio. 4. Limpie o reemplace la bujía, según sea necesario. Reajuste la separación interelectródica de la bujía. Consulte la sección Reemplazo de la bujía más arriba en este manual.
El motor arranca, marcha y acelera pero no funciona a velocidad de marcha en vacío (ralentí)	<ol style="list-style-type: none"> 1. El tornillo de marcha lenta del carburador necesita ajuste. 	<ol style="list-style-type: none"> 1. Gire a la derecha el tornillo de marcha lenta para aumentar la velocidad de marcha en vacío (ralentí). <i>Vea la figura 22.</i>
No avanza el hilo	<ol style="list-style-type: none"> 1. El hilo se pegó a sí mismo. 2. No hay suficiente hilo en el carrete. 3. El hilo se gastó hasta quedar muy corto. 4. El hilo está enredado en el carrete. 5. La velocidad del motor está muy lenta. 	<ol style="list-style-type: none"> 1. Lubrique el resorte con rociador de silicón. 2. Instale más hilo. Consulte la sección de reabastecimiento del hilo correspondiente en este manual. 3. Tire de los hilos a la vez que alternadamente presiona y suelta el retén del carrete. 4. Retire el hilo del carrete y vuelva a enrollarlo. Consulte la sección de reabastecimiento del hilo correspondiente en este manual. 5. Avance el hilo a la máxima aceleración.
Es difícil girar el retén del carrete	<ol style="list-style-type: none"> 1. La rosca del tornillo está sucia o dañada. 	<ol style="list-style-type: none"> 1. Limpie las roscas y lubríquelas con grasa - si no hay mejoría, reemplace el retén del carrete.
El pasto se enreda alrededor del alojamiento del eje de impulsión y del cabezal del hilo	<ol style="list-style-type: none"> 1. Se está cortando la hierba alta a nivel del suelo. 2. Se está utilizando la recortadora con el anegador parcialmente abierto. 	<ol style="list-style-type: none"> 1. Corte la hierba alta de arriba hacia abajo para evitar que se enrede en la unidad. 2. Accione la recortadora a la máxima aceleración.

GARANTÍA

ESTE PRODUCTO SE FABRICÓ CON UN SILENCIADOR CATALÍTICO

¡Felicidades! Acaba de realizar una inversión para proteger el medio ambiente. A fin de conservar el nivel de emisiones original de este producto, le suplicamos consultar el apartado sobre mantenimiento que aparece abajo.

PROGRAMA DE MANTENIMIENTO PARA EL CONTROL DE EMISIONES Y LISTA DE PIEZAS GARANTIZADAS

Piezas para el control de emisiones	Inspeccionar cada vez antes de usar la unidad	Limpiar cada 5 horas de uso	Reemplazar cada 25 horas de uso o cada año	Limpiar cada 25 horas de uso o cada año	Reemplácelo cada 125 Horas
-------------------------------------	---	-----------------------------	--	---	----------------------------

CONJUNTO DE SILENCIADOR CATALÍTICOX

INCLUYE:

FILTRO PANTALLA.....X

PANTALLA PARACHISPASX

CONJUNTO DEL CARBURADOR

INCLUYE:

REPRESA TÉRMICA.....X

JUNTAS.....X

CONJUNTO DEL TANQUE DE COMBUSTIBLE

INCLUYE:

CONDUCTOS DE COMBUSTIBLEX

TAPA DEL TANQUE DE COMBUSTIBLE.....X

FILTRO DE COMBUSTIBLE

CONJUNTO DEL ENCENDIDO

INCLUYE:

BUJÍA.....X

TODAS LAS PIEZAS RELACIONADAS CON LAS EMISIONES ESTÁN GARANTIZADAS POR TRES AÑOS O POR EL PERÍODO DE TIEMPO PREVIO AL MOMENTO DEL PRIMER CAMBIO PROGRAMADO DE LAS PIEZAS, LO QUE SUCEDA PRIMERO.



LLÁMENOS PRIMERO

Si tiene preguntas sobre el funcionamiento o el mantenimiento este producto, llame al teléfono de atención al consumidor de Ryobi®.

La recortadora ha sido probada enteramente antes de embarcarse para asegurar la satisfacción del consumidor.

GARANTÍA

DECLARACIÓN DE LA GARANTÍA LIMITADA

Techtronic Industries North America, Inc. garantiza al comprador original al menudeo que este producto de la marca RYOBI® carece de defectos en los materiales y en la mano de obra, y acuerda reparar o reemplazar, a la sola discreción de Techtronic Industries North America, Inc., cualquier producto defectuoso, sin cargo alguno al comprador, dentro de los siguientes períodos de tiempo a partir de la fecha de compra.

- Tres años si los productos se emplean para uso personal, familiar o casero;
- 90 días si el producto se emplea para cualquier otro propósito, como el uso comercial o el de alquiler.

Esta garantía se otorga solamente al comprador original al menudeo, y comienza en la fecha de la compra original al menudeo.

Cualquier parte de este producto Techtronic Industries North America, Inc. que, a juicio razonable de la compañía, tenga defectos en los materiales o en la mano de obra, será reparado o reemplazado por un centro de servicio autorizado de herramientas para uso en el exterior de la marca RYOBI®, sin cargo alguno al comprador por concepto de piezas y mano de obra (Centro de Servicio Autorizado Ryobi).

El producto, incluida toda pieza defectuosa, debe enviarse a un centro de servicio autorizado Ryobi dentro del período de la garantía. El gasto de enviar el producto al centro de servicio para cualquier trabajo cubierto por la garantía, así como el gasto de devolverlo al propietario después de la reparación, correrán por cuenta del propietario. La responsabilidad de Techtronic Industries North America, Inc. con respecto a todo reclamo se limita a las reparaciones o reemplazo del producto, y ningún reclamo de incumplimiento de la garantía será causante de la cancelación o rescisión del contrato de venta de ninguna herramienta de uso en el exterior de la marca RYOBI®. En el establecimiento se requerirá el recibo de compra para respaldar cualquier reclamo al amparo de la garantía. Todo trabajo cubierto en la garantía debe ser realizado por un concesionario de servicio autorizado.

Esta garantía se limita a noventa (90) días a partir de la fecha original de la compra de cualquier herramienta de uso en el exterior de la marca RYOBI® empleada para propósitos comerciales o de alquiler, o cualquier otro propósito generador de ingresos.

Esta garantía no cubre ningún producto que haya sido sujeto a un uso indebido, maltrato, negligencia o accidente, o que haya sido utilizado de cualquier forma contraria a las instrucciones de manejo especificadas en el manual del operador del producto. Esta garantía no aplica a ningún daño en el producto que resulte de un mantenimiento indebido ni a ningún producto que haya sido alterado o modificado. La garantía no cubre ninguna reparación necesaria por el uso normal ni por el uso de piezas o accesorios que sean incompatibles con la herramienta para uso exterior de la marca RYOBI®, o afecten de forma desfavorable su funcionamiento, desempeño o durabilidad.

Además, esta garantía no cubre:

A. Afinación – Bujías, carburador, ajustes del carburador, encendido, filtros

B. Artículos sujetos a desgaste – Perillas de tope, carretes exteriores, hilos de corte, carretes interiores, poleas del arrancador, cuerdas del arrancador, correas de transmisión, aspas, arandelas de fieltro y pasadores de enganche, hojas de triturar, ventiladores de sopladoras, tubos de sopladoras y de aspiradoras, sacos y correas de aspiradoras, barras guía y cadenas de sierras

Techtronic Industries North America, Inc. se reserva el derecho a cambiar o mejorar el diseño de cualquier herramienta para uso en el exterior de la marca RYOBI® sin asumir ninguna obligación de modificar ningún producto fabricado previamente.

TODAS LAS GARANTÍAS IMPLÍCITAS ESTÁN LIMITADAS EN DURACIÓN SEGÚN EL PERÍODO DE GARANTÍA DECLARADA. POR CONSIGUIENTE, CUALQUIER GARANTÍA IMPLÍCITA, INCLUSO LAS DE COMERCIABILIDAD, IDONEIDAD PARA UN PROPÓSITO EN PARTICULAR, O DE CUALQUIER TIPO, PIERDEN TOTALMENTE SU VALIDEZ DESPUÉS DEL VENCIMIENTO DEL PERÍODO DE GARANTÍA CORRESPONDIENTE DE TRES AÑOS, UN AÑO O NOVENTA DÍAS. DE CONFORMIDAD CON ESTA GARANTÍA, LA OBLIGACIÓN DE TECHTRONIC INDUSTRIES NORTH AMERICA, INC. SE LIMITA ESTRICTA Y EXCLUSIVAMENTE A LA REPARACIÓN O REPLAZO DE LAS PIEZAS DEFECTUOSAS, Y TECHTRONIC INDUSTRIES NORTH AMERICA, INC. NO ASUME NINGUNA OTRA OBLIGACIÓN, NI AUTORIZA A NADIE ASUMIRLA A NOMBRE DE DICHA COMPAÑÍA. ALGUNOS ESTADOS NO PERMITEN LIMITACIONES EN CUANTO A LA DURACIÓN DE UNA GARANTÍA IMPLÍCITA, POR LO CUAL ES POSIBLE QUE LA LIMITACIÓN ANTERIOR NO SE APLIQUE EN EL CASO DE USTED. TECHTRONIC INDUSTRIES NORTH AMERICA, INC. NO ASUME NINGUNA RESPONSABILIDAD POR DAÑOS DIRECTOS, INDIRECTOS O DE NINGÚN OTRO TIPO, COMO EL GASTO DE ENVIAR EL PRODUCTO A UN CENTRO DE SERVICIO AUTORIZADO RYOBI Y EL GASTO DE ENVIARLO DE ALLÍ AL PROPIETARIO, Y EL TIEMPO DE VIAJE DEL MECÁNICO, CARGOS TELEFÓNICOS O TELEGRÁFICOS, ALQUILER DE UN PRODUCTO SUSTITUTO DURANTE EL TIEMPO DE REALIZACIÓN DEL SERVICIO DE LA GARANTÍA, VIAJES, PÉRDIDA O DAÑOS A OBJETOS DE PROPIEDAD PERSONAL, PÉRDIDA DE INGRESOS, PÉRDIDA DEL USO DEL PRODUCTO, PÉRDIDA DE TIEMPO O INCONVENIENTES. EN ALGUNOS ESTADOS NO SE PERMITE LA EXCLUSIÓN O LIMITACIÓN DE DAÑOS DIRECTOS O INDIRECTOS, POR LO CUAL ES POSIBLE QUE LA LIMITACIÓN O EXCLUSIÓN DESCRITA ARRIBA NO SE APLIQUE EN SU CASO.

Esta garantía le confiere derechos legales específicos, y es posible que usted goce de otros derechos, los cuales pueden variar de estado a estado.

Esta garantía se aplica a todas las herramientas para uso en el exterior de la marca RYOBI® fabricadas por Techtronic Industries North America, Inc. y vendidos en Estados Unidos y Canadá.

Para encontrar el centro de servicio autorizado Ryobi más cercano a usted, llame al 1-800-860-4050.

GARANTÍA

LA SIGUIENTE DECLARACIÓN DE LA OFICINA DE RECURSOS ATMOSFÉRICOS DE CALIFORNIA (CARB) SE APLICA SÓLO A LOS MODELOS OBLIGADOS A CUMPLIR CON LOS REQUISITOS DE DICHO ORGANISMO.

DECLARACIÓN DE GARANTÍA LIMITADA DE TECHTRONIC INDUSTRIES NORTH AMERICA, INC. Y REGULACIONES FEDERALES Y DEL ESTADO DE CALIFORNIA EN RELACIÓN CON LOS SISTEMAS DE CONTROL DE EMISIONES DE MOTORES NO VEHICULARES Y DE MOTORES PEQUEÑOS PARA USO FUERA DE CARRETERAS DERECHOS Y OBLIGACIONES DEL CONSUMIDOR SEGÚN LA GARANTÍA

La Dirección de Protección Ambiental (EPA) de EE.UU., la Oficina de Recursos Atmosféricos de California (CARB) y Techtronic Industries North America, Inc. tienen el placer de explicar la Garantía del Sistema de Control de Emisiones de su motor no vehicular o motor pequeño para uso fuera de carreteras modelo 2010. En California, los equipos nuevos que usen motores pequeños para uso fuera de carreteras deben diseñarse, fabricarse y equiparse de manera que cumplan con las rigurosas normas estatales contra la contaminación del aire. En otros estados, los motores nuevos no vehiculares fabricados en el año 2000 y en años posteriores deben estar diseñados, fabricados y equipados, al momento de la venta, para cumplir las normas de la EPA de EE.UU. para motores pequeños para uso fuera de carreteras. El motor no vehicular debe carecer de defectos en los materiales y en la mano de obra que puedan causar el incumplimiento de las normas de la EPA de EE.UU. durante los primeros tres años de uso del motor a partir de la fecha de venta al comprador final. Techtronic Industries North America, Inc. debe garantizar el sistema de control de emisiones de su motor no vehicular o motor pequeño para uso fuera de carreteras por el período señalado arriba, siempre y cuando dicho motor no haya sido sujeto a uso indebido, negligencia o mantenimiento inadecuado.

Es posible que el sistema de control de emisiones incluya piezas como el carburador o el sistema de inyección de combustible, el sistema de encendido, convertidores catalíticos, tanques de combustible, válvulas, filtros, abrazaderas, conectores y otros componentes relacionados. También puede incluir mangueras, correas y conectores, además de otros ensamblajes relacionados con el control de emisiones.

Donde exista una condición amparable en la garantía, Techtronic Industries North America, Inc. reparará su motor no vehicular o motor pequeño para uso fuera de carreteras sin ningún cargo a usted, incluyendo el diagnóstico, las piezas de repuesto y la mano de obra si el trabajo se efectúa en un centro de servicio autorizado de productos para uso en el exterior de la marca RYOBI®.

COBERTURA DE LA GARANTÍA DEL FABRICANTE:

El sistema de control de emisiones de este producto está garantizado por tres años. Si está defectuosa cualquier pieza del motor relacionada con el control de emisiones, Techtronic Industries North America, Inc. la reparará o la reemplazará, sin cargo al consumidor.

RESPONSABILIDADES DEL PROPIETARIO EN RELACIÓN CON LA GARANTÍA

(a) Como propietario del motor no vehicular o motor pequeño para uso fuera de carreteras, usted es responsable de la realización del mantenimiento necesario indicado en el manual del operador. Techtronic Industries North America, Inc. le recomienda conservar todos los recibos de mantenimiento de su motor no vehicular o motor pequeño para uso fuera de carreteras; no obstante, Techtronic Industries North America, Inc. no puede negar la cobertura de la garantía únicamente por la carencia de recibos o por no asegurarse el propietario de la realización de todo el mantenimiento programado. Se pueden usar piezas de repuesto o servicios equivalentes en rendimiento y durabilidad en las tareas de mantenimiento o reparación no amparadas por la garantía, sin que se reduzcan las obligaciones de Techtronic Industries North America, Inc. amparadas por esta garantía.

(b) Sin embargo, como propietario de un motor no vehicular o motor pequeño para uso fuera de carreteras, usted debe saber que Techtronic Industries North America, Inc. puede negarle la cobertura de la garantía si dicho motor o una parte del mismo ha fallado debido a uso indebido, negligencia, mantenimiento inadecuado o modificaciones no autorizadas.

(c) Usted es responsable de presentar su motor no vehicular o motor pequeño para uso fuera de carreteras en un establecimiento de servicio autorizado tan pronto como surja el problema. Las reparaciones amparadas por la garantía deben realizarse en un plazo razonable menor de 30 días.

Si tiene alguna pregunta con respecto a sus derechos y responsabilidades en relación con la garantía, le recomendamos comunicarse con un representante del departamento de servicio al consumidor de Techtronic Industries North America, Inc. llamando al 1-800-860-4050.

REQUISITOS DE COBERTURA DE DEFECTOS ESTABLECIDOS EN LA GARANTÍA:

(a) El período de garantía se inicia el día en que el motor o equipo es entregado a un comprador final.

(b) Cobertura de Garantía General por Emisiones. Techtronic Industries North America, Inc. garantiza al comprador final y a cada uno de los compradores subsiguientes que su motor no vehicular o motor para uso fuera de carreteras está diseñado, fabricado y equipado, al momento de la venta, para cumplir todas las normas correspondientes adoptadas por la Oficina de Recursos Atmosféricos de California (CARB) o la Dirección de Protección Ambiental (EPA) de EE.UU.; que carece de defectos en los materiales y en la mano de obra que puedan causar el incumplimiento de las normas correspondientes por parte del motor durante un período de tres años a partir de la fecha de compra del motor no vehicular o motor pequeño para uso fuera de carreteras por el comprador inicial.

(c) La garantía sobre las piezas relacionadas con el control de emisiones se interpretará como sigue: Toda pieza garantizada cuyo cambio no esté programado según lo requerido en el Programa de mantenimiento para el control de emisiones y lista de piezas con garantía, incluido a continuación, está garantizada por tres años. Si alguna de dichas piezas (incluida cualquier pieza para la que se programen únicamente inspecciones regulares) falla durante el período de cobertura de la garantía, será reparada o reemplazada sin cargo en cualquier Centro de Servicio Autorizado de RYOBI®. Cualquier pieza reparada o reemplazada en virtud de la garantía quedará garantizada por el resto del período de la garantía. Una declaración que indique "reparar o reemplazar según sea necesario" no reducirá el período de cobertura de la garantía. Toda pieza garantizada cuyo cambio esté programado según lo requerido en

el Programa de mantenimiento para el control de emisiones y lista de piezas con garantía está garantizada por el período previo al momento del primer cambio programado para dicha pieza. Toda pieza reparada o reemplazada en virtud de la garantía queda garantizada por el resto del período previo al momento del primer cambio programado, y será reparada o reemplazada en cualquier Centro de Servicio Autorizado de RYOBI® sin cargo hasta que llegue el momento de dicho cambio.

Techtronic Industries North America, Inc. reparará todo defecto amparado por la garantía en cualquier Centro de Servicio Autorizado de RYOBI®, incluido cualquier centro de distribución autorizado a realizar el servicio de los motores objeto de la presente. Todo trabajo de diagnóstico que se realice en un Centro de Servicio Autorizado de RYOBI® será sin cargo para el propietario si mediante dicho trabajo se determina que una pieza garantizada está defectuosa. Se pueden utilizar piezas de repuesto aprobadas por el fabricante, o equivalentes, para cualquier mantenimiento o reparación amparado por la garantía en las piezas relacionadas con el control de emisiones, y deben proporcionarse sin ningún cargo para el propietario si dichas piezas aún están protegidas por la garantía. Techtronic Industries North America, Inc. es responsable de daños a otros componentes del motor causados por la falla de una pieza garantizada cuya garantía aún esté vigente.

No está permitido utilizar piezas agregadas o modificadas que no estén exentas por la Oficina de Recursos Atmosféricos de California. El uso de cualquier pieza agregada o modificada que no esté exenta constituirá causal para rechazar un reclamo en virtud de la garantía. Techtronic Industries North America, Inc. no será responsable de garantizar fallas de piezas garantizadas causadas por el uso de una pieza agregada o modificada que no esté exenta.

La Lista de Piezas con Garantía de Emisiones de la Oficina de Recursos Atmosféricos de California define específicamente las piezas garantizadas relacionadas con el control de emisiones. (Las normas de la EPA no incluyen una lista de piezas, pero la EPA considera que las piezas garantizadas y relacionadas con el control de emisiones incluyen todas las piezas que se indican a continuación). Techtronic Industries North America, Inc. proporcionará cualquier documento que describa sus procedimientos o políticas de garantía dentro de los cinco días de haber sido requerido por la Oficina de Recursos Atmosféricos de California.

LISTA DE PIEZAS PARA EL CONTROL DE EMISIONES

Las piezas para el control de emisiones varían de un producto a otro. Su garantía del sistema de control de emisiones se aplica a cualquiera de los siguientes componentes que pueda estar incluido en su producto:

- (1) Sistema de administración de combustible
 - (i) Carburador y piezas internas (y/o regulador de presión o sistema de inyección de combustible).
 - (ii) Sistema de retroalimentación y control de la mezcla de aire y combustible.
 - (iii) Sistema de enriquecimiento de la mezcla para arranque en frío.
 - (iv) Tanque de combustible.
- (2) Sistema de inducción de aire
 - (i) Sistema con toma de aire caliente controlada.
 - (ii) Múltiple de admisión.
 - (iii) Filtro de aire.
- (3) Sistema de encendido
 - (i) Bujías.
 - (ii) Sistema de ignición magnético o electrónico.
 - (iii) Sistema de avance/retardo de chispa.
- (4) Sistema de recirculación de gases de escape (Exhaust Gas Recirculation, EGR)
 - (i) Cuerpo de válvula y separador del carburador del EGR, si corresponde.
 - (ii) Sistema de retroalimentación de régimen y control del EGR.
- (5) Sistema de inyección de aire
 - (i) Bomba de aire o válvula de impulsos.
 - (ii) Válvulas que afecten la distribución del flujo.
 - (iii) Múltiple de distribución.
- (6) Catalizador o sistema de reactor térmico
 - (i) Convertidor catalítico.
 - (ii) Reactor térmico.
 - (iii) Múltiple de escape.
- (7) Controles de partículas
 - (i) Trampas, filtros, precipitadores y cualquier otro dispositivo utilizado para captar emisiones de partículas.
- (8) Elementos varios utilizados en los sistemas antes mencionados
 - (i) Controles electrónicos.
 - (ii) Válvulas e interruptores sensibles al vacío, la temperatura y el tiempo.
 - (iii) Mangueras, correas, conectores y conjuntos.

Con cada nuevo motor, Techtronic Industries North America, Inc. proveerá instrucciones escritas para su mantenimiento y uso por parte del propietario.

El período de cumplimiento con los reglamentos de control de emisiones señalado en la etiqueta de cumplimiento de dichos reglamentos indica el número de horas de funcionamiento para las cuales se ha demostrado que el motor cumple los requisitos de control de emisiones de los reglamentos federales. Categoría C=50 horas, B=125 horas y A=300 horas.



OPERATOR'S MANUAL MANUEL D'UTILISATION / MANUAL DEL OPERADOR

26cc STRING TRIMMERS TAILLE-BORDURES À LIGNE DE 26 CC RECORTADORAS DE HILO 26 CC

CS26 - RY28020 SS26 - RY28040
(ALL VERSIONS / TOUTES LES VERSIONS / TODAS LAS VERSIONES)

WARNING:

The engine exhaust from this product contains chemicals known to the State of California to cause cancer, birth defects, or other reproductive harm.

CALIFORNIA PROPOSITION 65

AVERTISSEMENT :

Les gaz d'échappement de ce produit contiennent des produits chimiques identifiés par l'état de Californie comme causes de cancer, de malformations congénitales et d'autres troubles de l'appareil reproducteur.

PROPOSITION 65 DE L'ÉTAT DE CALIFORNIE

ADVERTENCIA:

Las emanaciones provenientes del escape del motor de este producto contienen sustancias químicas reconocidas por el estado de California como causantes de cáncer, defectos congénitos y otras afecciones del aparato reproductor.

CALIFORNIA - PROPUESTA DE LEY NÚM. 65

Ryobi® is a registered trademark of Ryobi Limited used under license.

Ryobi® est une marque déposée de Ryobi Limited utilisée sous licence.

Ryobi® es una marca comercial registrada de Ryobi Limited y es empleada mediante autorización.

• **PARTS AND SERVICE**

Prior to requesting service or purchasing replacement parts, please obtain your model and serial number from the product data plate.

• **MODEL NO.** _____ **SERIAL NO.** _____

• **HOW TO OBTAIN REPLACEMENT PARTS:**

Replacement parts can be purchased online at www.ryobitools.com or by calling 1-800-860-4050. Replacement parts can also be obtained at one of our Authorized Service Centers.

• **HOW TO LOCATE AN AUTHORIZED SERVICE CENTER:**

Authorized Service Centers can be located online at www.ryobitools.com or by calling 1-800-860-4050.

• **HOW TO OBTAIN CUSTOMER OR TECHNICAL SUPPORT:**

To obtain Customer or Technical Support please contact us at 1-800-860-4050.

• • • • •

• **PIÈCES ET SERVICE**

Avant de faire la demande de service ou l'achat de pièces de remplacement, veuillez obtenir le numéro de série du modèle à partir de la plaque de données du produit.

• **NUMÉRO DE MODÈLE** _____ **NUMÉRO DE SÉRIE** _____

• **COMMENT OBTENIR LES PIÈCES DE REMPLACEMENT :**

Les pièces de remplacement peuvent être achetées en ligne sur le site www.ryobitools.com ou par téléphone au 1-800-860-4050. Les pièces de remplacement peuvent être obtenues à un de nos centres de service autorisés.

• **COMMENT TROUVER UN CENTRE DE SERVICE AUTORISÉ :**

Les centres de service autorisés peuvent être localisés en ligne au www.ryobitools.com ou en téléphonant au 1-800-860-4050.

• **COMMENT OBTENIR DE L'AIDE EN CONTACTANT LE SERVICE À LA CLIENTÈLE :**

Pour contacter le service à la clientèle pour une question technique ou pour tout autre renseignement, veuillez nous téléphoner au 1-800-860-4050.

• • • • •

• **PIEZAS DE REPUESTO Y SERVICIO**

Antes de solicitar servicio técnico o comprar piezas de repuesto, obtenga su modelo y número de serie de la placa de datos del producto.

• **NÚMERO DE MODELO** _____ **NÚMERO DE SERIE** _____

• **CÓMO OBTENER PIEZAS DE REPUESTO:**

Las piezas de repuesto se pueden comprar en nuestro sitio en la red mundial, en la dirección www.ryobitools.com o llamando al 1-800-860-4050. Las piezas de repuesto también se pueden obtener en uno de nuestros Centros de Servicio Autorizados.

• **CÓMO LOCALIZAR UN CENTRO DE SERVICIO AUTORIZADO:**

Puede encontrar los Centros de Servicio Autorizados visitando nuestro sitio en la red mundial, en la dirección www.ryobitools.com or by calling 1-800-860-4050.

• **CÓMO OBTENER SERVICIO O ASISTENCIA TÉCNICA AL CONSUMIDOR:**

Para obtener Servicio o Asistencia Técnica al Consumidor, sírvase comunicarse con nosotros llamando al 1-800-860-4050.

TECHTRONIC INDUSTRIES NORTH AMERICA, INC.

1428 Pearman Dairy Road, Anderson, SC 29625 USA

1-800-860-4050 • www.ryobitools.com